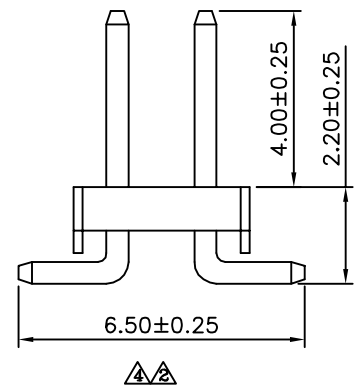
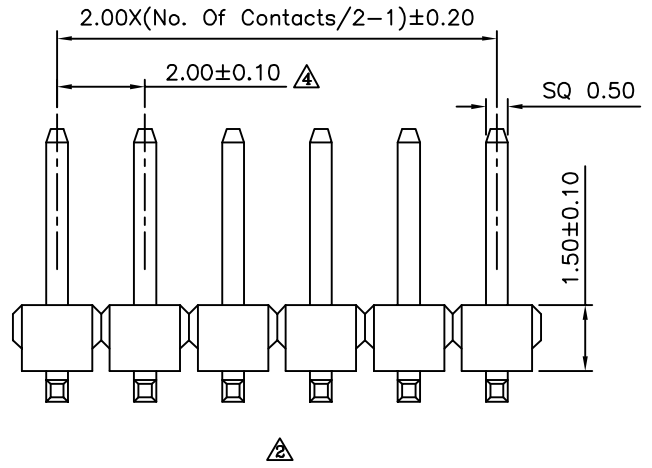


Recommended P.C.B. Layout

SPECIFICATION
 Current Rating:1A
 Dielectric Strength:1000V AC/Minute
 Contact Resistance:20 Milliohms Max.
 Insulation Resistance:5000 Megaohms Min.
 Operation Temperature:-55°C~+105°C
 Insulator:PA6T(UL94V-0),Black
 Contact:Brass,Gold Flash Over Nickel
 No. Of Contacts:04~80 Contacts
 RoHS Compliant



4UCON 元化興業股份有限公司
 4UCON TECHNOLOGY INC.

DRAWING No.		APPROVED BY		UNLESS OTHERWISE SPECIFIED TOLERANCES ARE .X ±0.38 .XX ±0.25 ANG. ±5°
11484		EMILY		
		HZF		
		DRAWING BY		UNIT mm
		SONG		
SCALE	NONE	REV.	A4	NO. REV.

A4	Modify Data	HZF	09/06/2013
A3	Modify Data	HZF	10/27/2010
A2	Modify Data	HZF	11/21/2009
A1	Modify Data	BECKY	05/11/2006
A0	NEW RELEASE	BECKY	
NO. REV.	REVISIONS	CHK	DATE