

△ SPECIFICATION

1. General Characteristics

CF Card 50P Header Slim Type SMT 90° Stand Off 0mm
 Normal With Screw Distance:38.74mm Guide
 Length:26mm With Post Selective Gold Flash

2. Material & Finish

Insulator:LCP, Yellow
 Contact:Brass, Gold Plated On Contact Area, Tin
 Plated On Solder Tail Area, Under Nickel
 Mount Ear:Brass, Tin Plated

3. Electrical Characteristics

Current Rating:0.5 Amp (Per Pin)
 Voltage Rating:100V AC (Per Pin)
 Contact Resistance:40 Milliohms Max.
 After Test:20 Milliohms Max.
 Insulation Resistance:1000 Megaohms Min. At 500V DC
 After 1 Minute:100 Megaohms Min.
 Dielectric Withstanding Voltage:500V AC RMS For 1 Minute

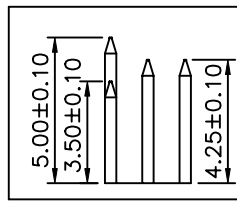
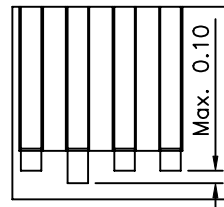
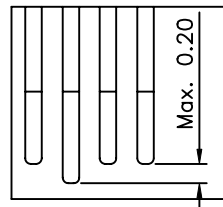
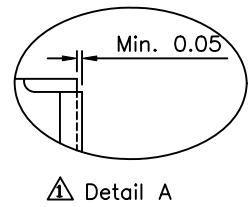
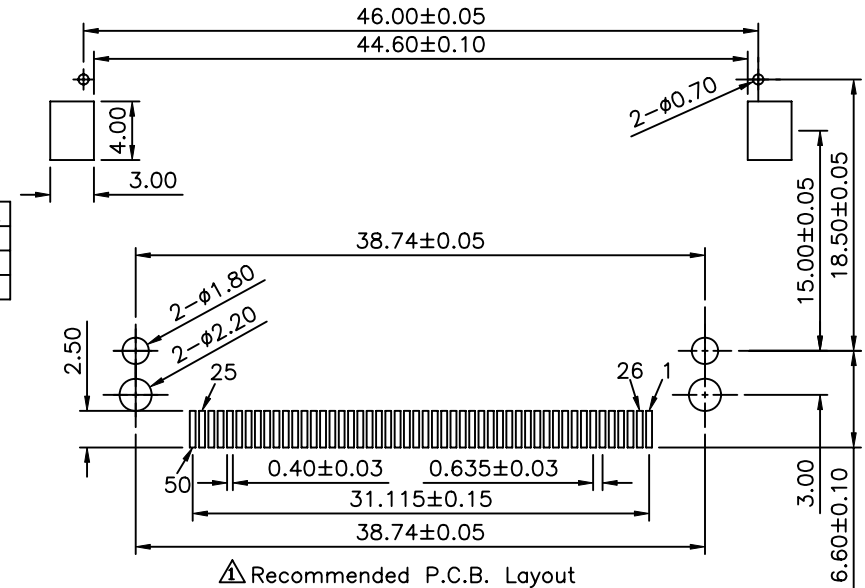
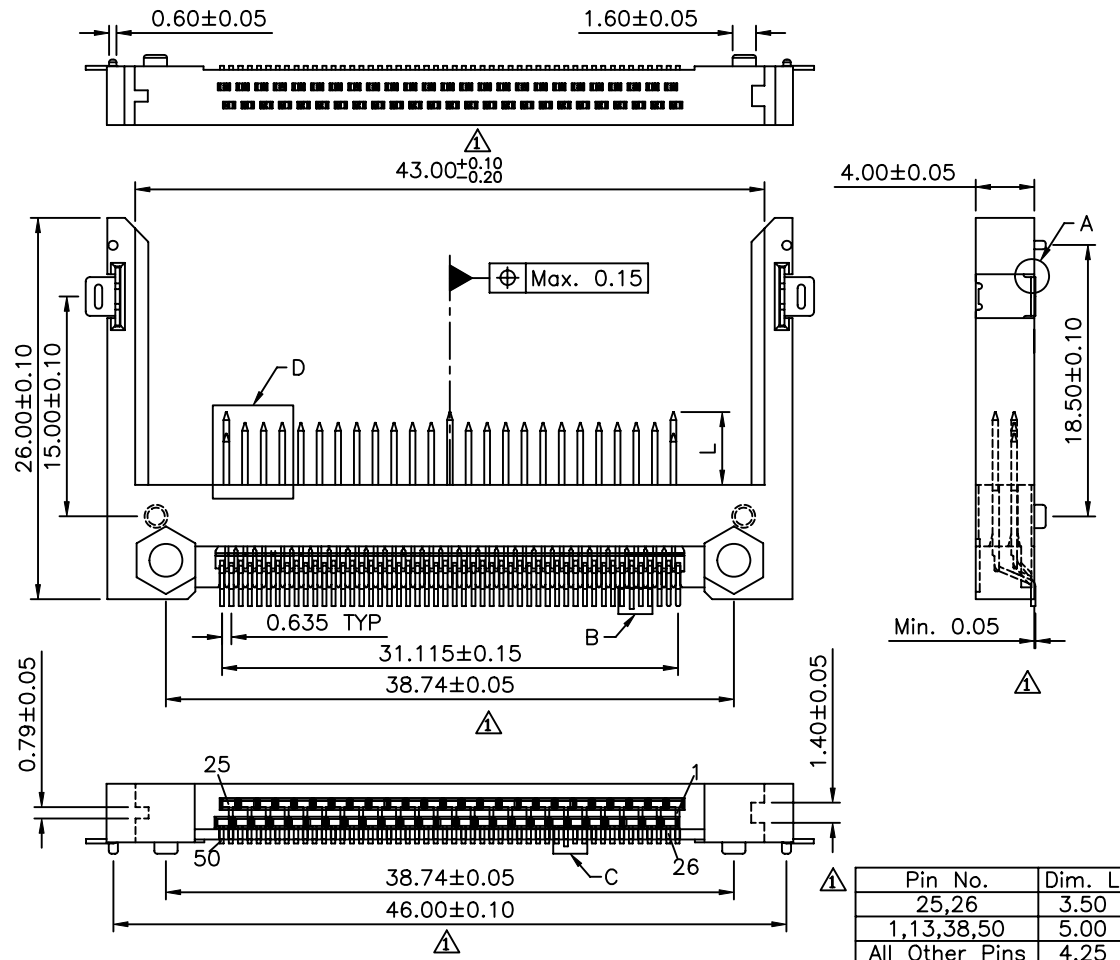
4. Environmental Characteristics

Practical Temperature Range:-25°C~+70°C

5. Mechanical Characteristics

Durability:10000 Cycles (Speed:500 Cycles/Hour)
 Total Mating Force:28.8N Max.
 Total Unmating Force:4.9~24.5N

6. RoHS Compliant



△ Recommended P.C.B. Layout

4UCON 元化興業股份有限公司
 4UCON TECHNOLOGY INC.

DRAWING No.

11678

APPROVED BY

EMILY

CHECKED BY

HZF

DRAWING BY

WZL

UNLESS OTHERWISE SPECIFIED TOLERANCES ARE
 .X ±0.05 △
 .XX ±0.01
 .XXX ±0.002

SCALE

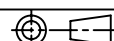
NONE

REV.

B1

UNIT

mm



△ B1

Modify Data

HZF

04/21/2011

△ B0

NEW RELEASE

HZF

11/22/2006

NO. REV.

REVISIONS

CHK

DATE