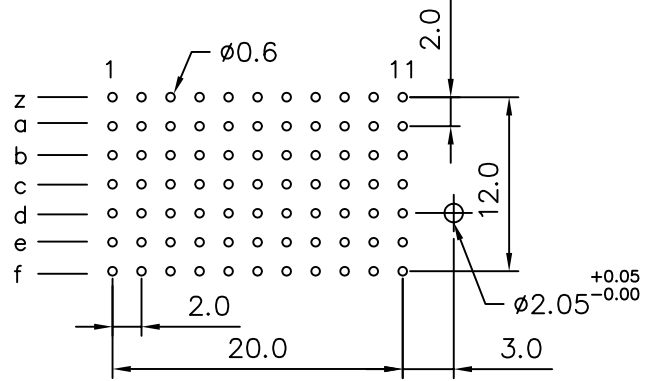
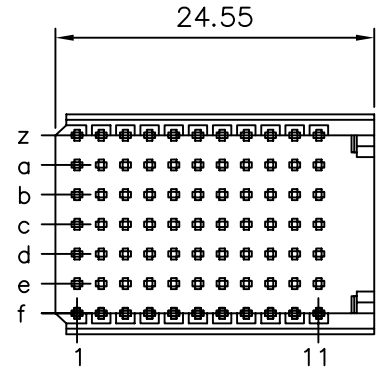
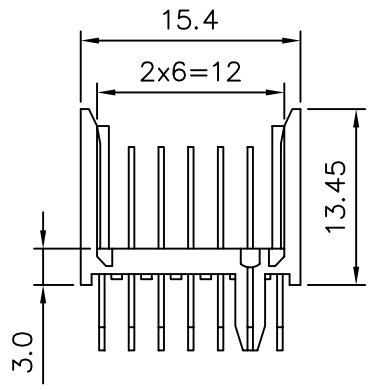
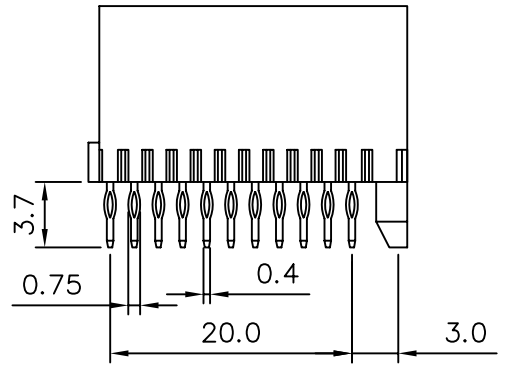


**SPECIFICATIONS**

Insulator Resistance:1000 Megohms Min.  
 Contact Resistance:20 Milliohms max.  
 Operating Temperature:-65°C ~+125°C  
 Housing:30% Glass Filled PBT UL 94V-0  
 Contact:Phosphor Bronze  
 Dip Tin Plated 30u",Gold Plated on Contact



P.C.B Layout  
(Top View)



**4UCON** 元化興業股份有限公司  
 4UCON TECHNOLOGY INC.

DRAWING No.  
12068

APPROVED BY MEI  
 CHECKED BY BECKY  
 DRAWING BY HZF

UNLESS OTHERWISE SPECIFIED TOLERANCES ARE  
 .X ±0.38  
 .XX ±0.25  
 AWG.

SCALE NONE

REV. A0

UNIT mm

NO.	REV.	REVISIONS	CHK	DATE
0	A0	NEW RELEASE	MEI	