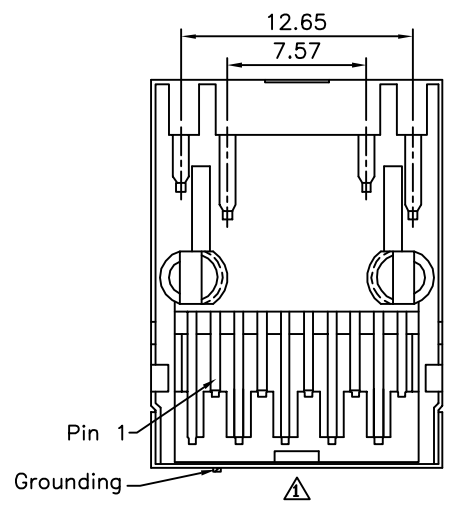
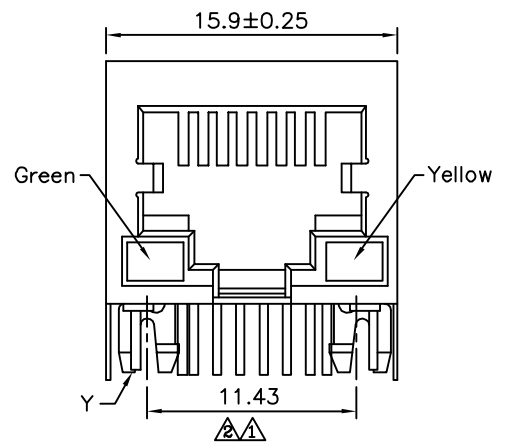
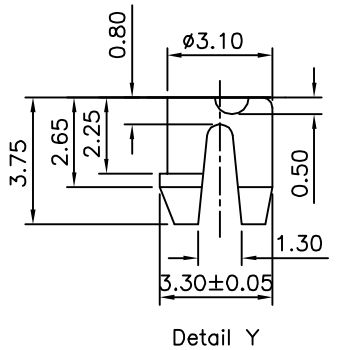
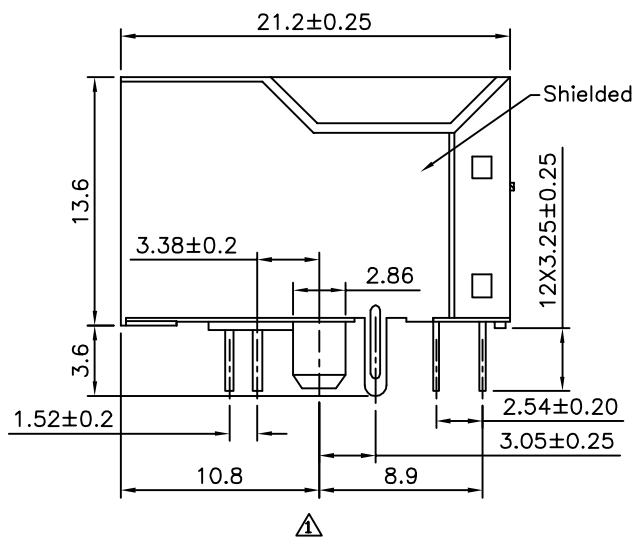
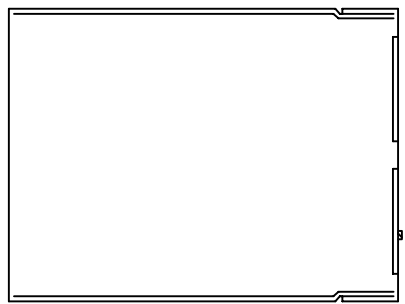
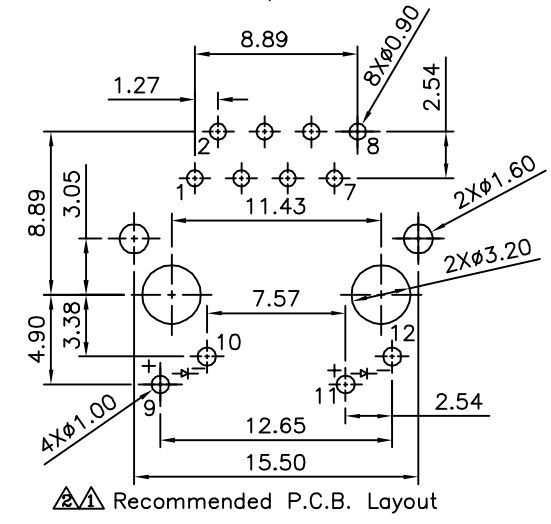


△ SPECIFICATION
 Housing:PBT(UL94V-0),Black
 Contact:Phosphor Bronze
 Gold Plated 6u" On Contact Area,Gold
 Flash On Other Area,Over Nickel
 Shield:Copper Alloy,Nickel Plated
 Cavity Confirms To FCC Rules And Regulations
 Part 68,Subpart F.
 RoHS Compliant



4UCON 元化興業股份有限公司
 4UCON TECHNOLOGY INC.

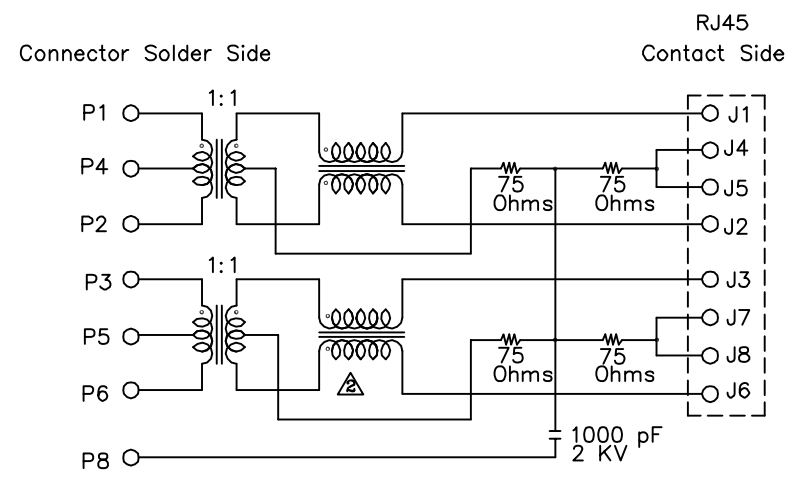
DRAWING No.		APPROVED BY		UNLESS OTHERWISE SPECIFIED TOLERANCES ARE △ .X ±0.25 .XX ±0.13 .XXX ±0.05 ANG. ±0.5°
12296		EMILY		
		CHECKED BY HZF		
		DRAWING BY SONG		
SCALE	NONE	REV.	A2	UNIT mm

NO.	REV.	REVISIONS	CHK	DATE
△ A2		Modify Data	HZF	08/11/2014
△ A1		Modify Data	HZF	11/18/2013
△ A0		NEW RELEASE	BECKY	2004/11/19

⚠ ELECTRICAL CHARACTERISTICS TEST NOTES:(25°±5°C)

Item	Parameter	Condition	Min.	Max.
1	Insertion Loss	1-100 MHz		-1dB
2	Return Loss	1-30 MHz	-20dB	
		30-60 MHz	-15dB	
		60-80 MHz	-11dB	
3	Primary Inductance @ 100 KHz, 0.1Vrms,8mA DC Bias	(1-2),(3-6)	350uH	
4	Crosstalk	1-100 MHz	-30dB	
5	Hipot	Vrms	1.5KV	

RoHS Compliant



⚠ Connector Schematic

4UCON 元化興業股份有限公司
4UCON TECHNOLOGY INC.

DRAWING No.		APPROVED BY		UNLESS OTHERWISE SPECIFIED TOLERANCES ARE .X ±0.38 .XX ±0.25 ANG.
12296		EMILY		
		CHECKED BY HZF		
		DRAWING BY SONG		
SCALE	NONE	REV.	A2	UNIT mm

NO.	REV.	REVISIONS	CHK	DATE
⚠ A2		Modify Data	HZF	08/11/2014
⚠ A1		Modify Data	HZF	11/18/2013
⚠ A0		NEW RELEASE	BECKY	2004/11/19