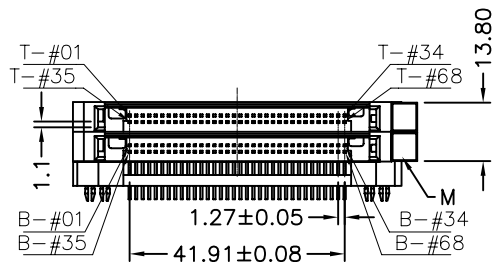
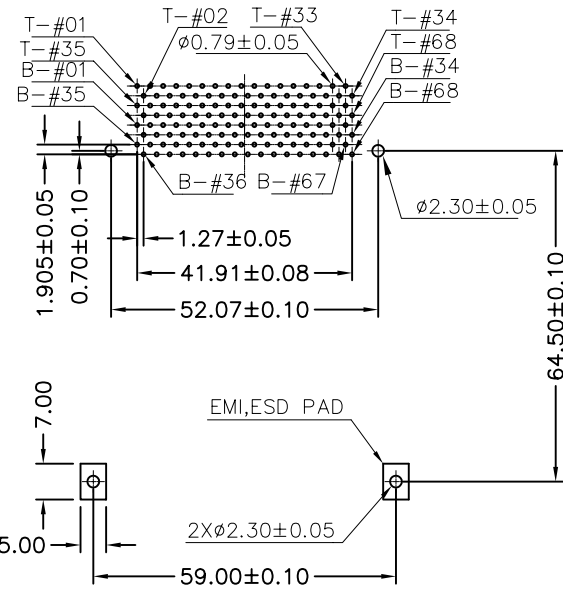
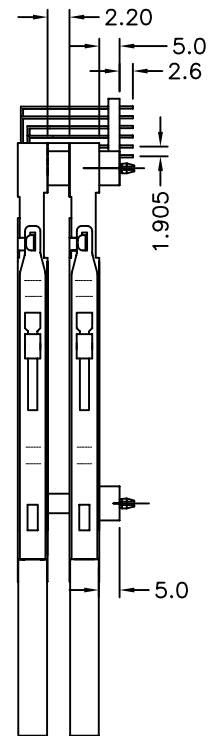
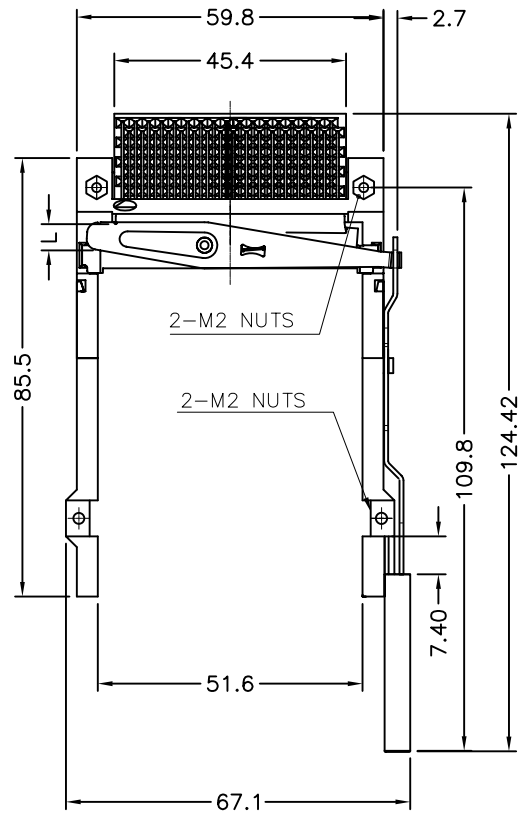


SPECIFICATIONS

Insulator: UL 94V-0 LCP,PBT
 Contact: Copper Alloy
 Color: Black
 Contact Plating: Selective 15u" Gold over 50u" Nickel
 Voltage Rating: 5V
 With 4Pcs M2 Screws
 Accept PCMCIA Type I, Type II or Type III Card



Pin Type	Dim. L ±0.10	Pin Number
Detect	3.50	36, 67
General	4.25	All Other Pins
Power	5.00	1,17,34,35,51,68

4UCON 元化興業股份有限公司
 4UCON TECHNOLOGY INC.

DRAWING No.
 12504

APPROVED BY MEI
 CHECKED BY BECKY
 DRAWING BY HZF

UNLESS OTHERWISE SPECIFIED
 TOLERANCES ARE
 .X ±0.30
 .XX ±0.20
 .XXX ±0.10

SCALE NONE

REV. A0

UNIT mm

NO. REV.

A0 NEW RELEASE

MEI

CHK

DATE