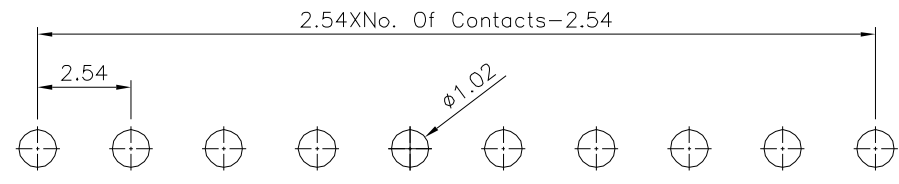
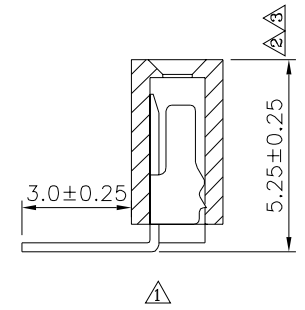
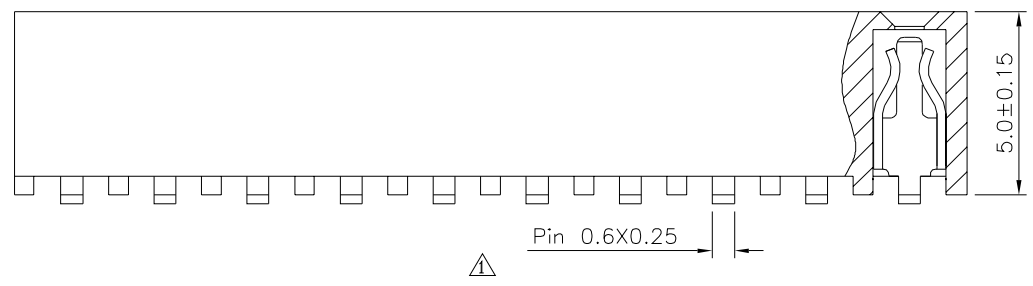
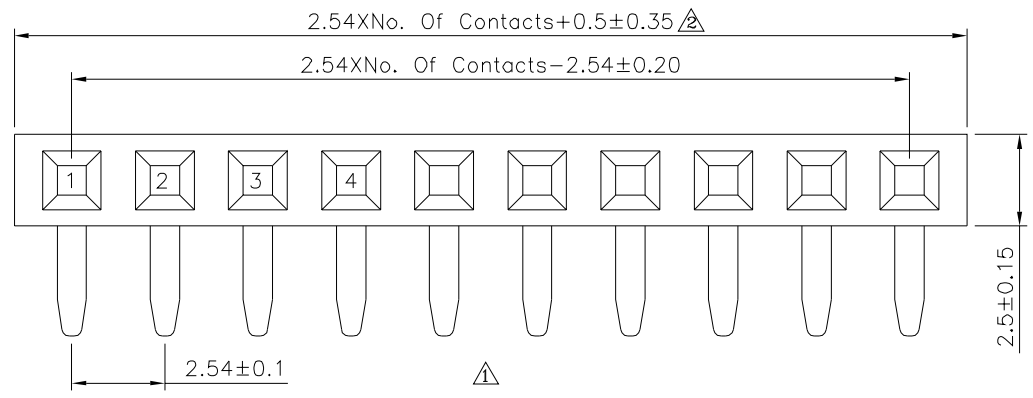


**△ SPECIFICATION**  
 Current Rating:3 Amp  
 Withstand Voltage:1000V AC Min./Minute  
 Contact Resistance:20 Milliohms Max.  
 Insulation Resistance:1000 Megaohms Min.  
 Operation Temperature:-40°C~+105°C  
 Insulator:PA6T(UL94V-0),Black  
 Contact:Phosphor Bronze,Gold Flash Over Nickel  
 RoHS Compliant



Recommended P.C.B. Layout(Top View)  
 (PCB Board Tolerance±0.05)



**4UCON** 元化興業股份有限公司  
 4UCON TECHNOLOGY INC.

DRAWING No.		APPROVED BY		UNLESS OTHERWISE SPECIFIED TOLERANCES ARE X. ±0.25 X.* ±2* .X ±0.20 .X* ±1.5* .XX ±0.15 .XX* ±1* .XXX ±0.10 .XXX* ±0.5*
13006		MEI		
		CHECKED BY	HZF	
		DRAWING BY	CYP	
SCALE	NONE	REV.	A3	UNIT
				mm

NO.	REV.	REVISIONS	CHK	DATE
3	A3	Modify Data	HZF	10/15/2019
2	A2	Modify Data	HZF	05/16/2017
1	A1	Modify Data	HZF	07/28/2016
0	A0	NEW RELEASE	HZF	09/30/2013