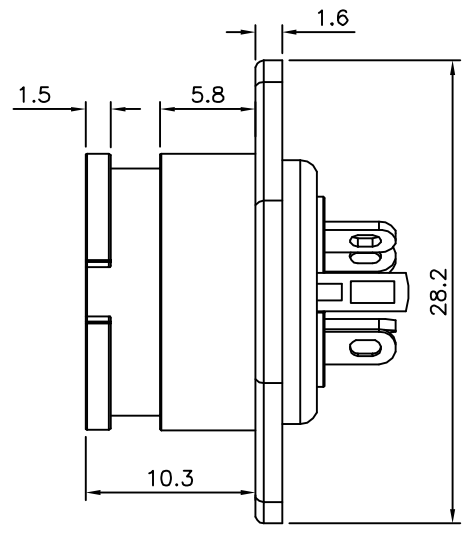
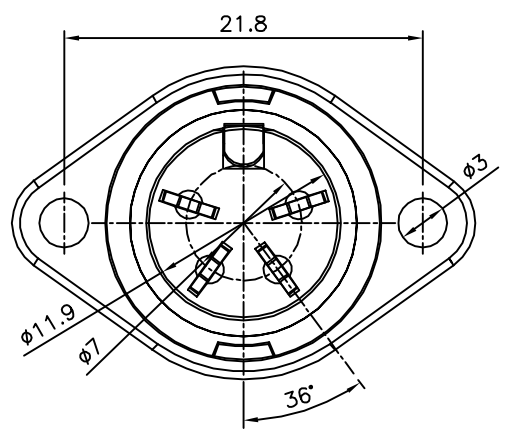


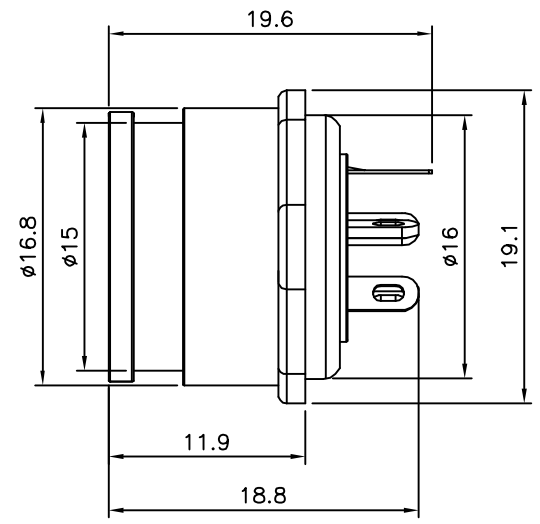
△△ SPECIFICATION
 Rating:100V AC,4A Max.
 Withstand Voltage:250V AC RMS. For 1 Minute
 Contact Resistance:Pins 30 Milliohms Max.
 Shell 50 Milliohms Max.
 Insulation Resistance:100 Megaohms Min. At 500V DC
 Shield Cover:Zinc Alloy,Nickel Plated
 Negative Contact:Copper,Nickel Plated
 △ Housing:PA66(UL94V-0)
 Terminals:Brass,Silver Plated
 RoHS Compliant



△△



△△



△

4UCON 元化興業股份有限公司
 4UCON TECHNOLOGY INC.

DRAWING No.		APPROVED BY		UNLESS OTHERWISE SPECIFIED TOLERANCES ARE △ .X ±0.25 △.XX ±0.10 ANG.
13682		EMILY		
		HZF		
		DRAWING BY		UNIT mm
		SAN		
SCALE	NONE	REV.	A4	

△ A4	Modify Data	HZF	07/02/2014
△ A3	Add UL94V-0	HZF	11/16/2010
△ A2	Modify Data	HZF	06/29/2010
△ A1	Modify Data	BECKY	2004/12/14
△ A0	NEW RELEASE		
NO. REV.	REVISIONS	CHK	DATE