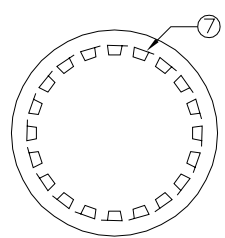
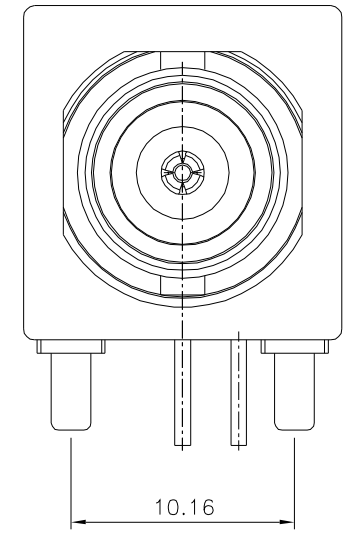
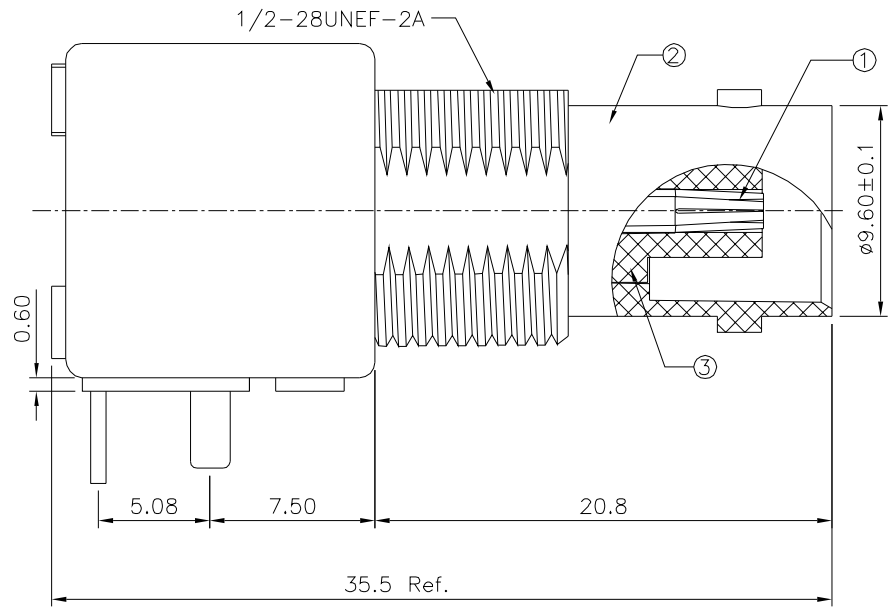
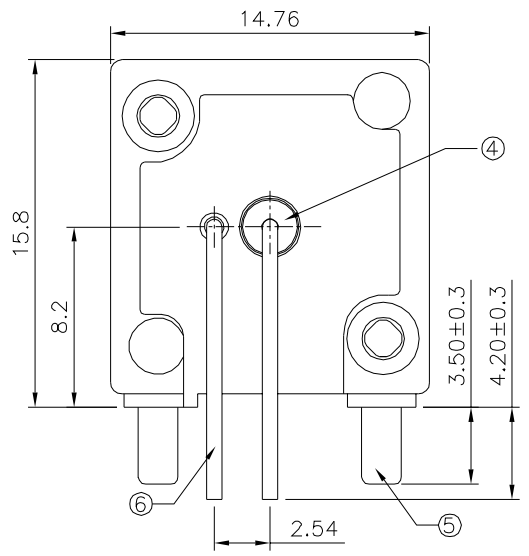
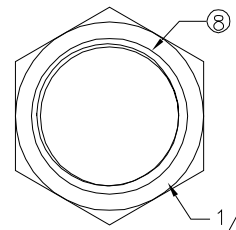


Recommended P.C.B. Layout Without Mounting Posts



Lock Washer



Clamp Nut

1/2-28UNEF-2B

RoHS Compliant

No.	Description	Material	Remark
①	Center Contact	Phosphor Bronze	Gold Plated Over Nickel
②	Body	Zinc Alloy	Nickel Plated
③④	Insulator	PE-606	White
⑤	Mounting Post	Brass	Tin Plated
⑥	Solder Tail	Copper Wire	Tin Plated
⑦	Washer	Steel	Nickel Plated
⑧	Nut	Brass	Nickel Plated

4UCON

元化興業股份有限公司
4UCON TECHNOLOGY INC.

DRAWING No.

14181

APPROVED BY

MEI

CHECKED BY

HZF

DRAWING BY

HAO

SCALE

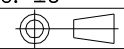
NONE

REV.

CO

UNLESS OTHERWISE SPECIFIED TOLERANCES ARE
.X ±0.5
.XX ±0.3
.XXX ±0.2
ANG. ±3°

UNIT mm



NO. REV.

CO NEW RELEASE REVISIONS

CHK HZF

DATE 06/12/2021