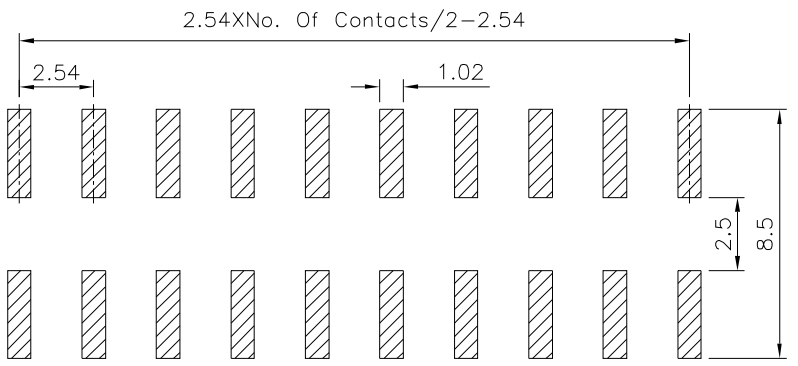
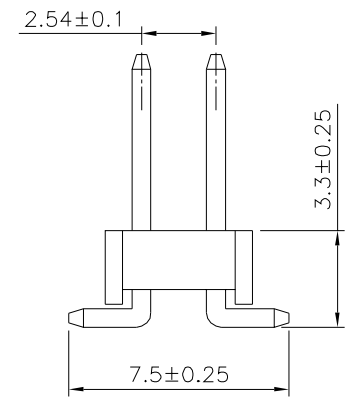
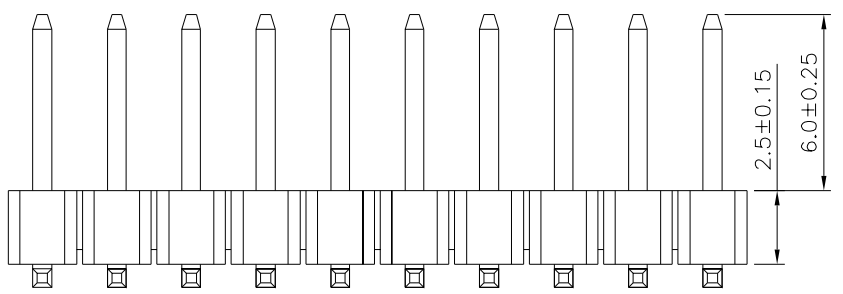
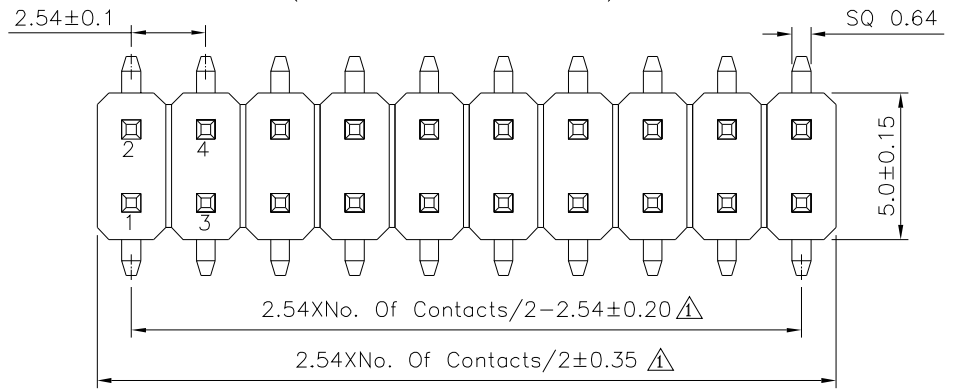


SPECIFICATION

Current Rating:3A
 ⚠ Withstand Voltage:1000V AC
 Contact Resistance:20 Milliohms Max.
 Insulation Resistance:1000 Megaohms Min.
 Operation Temperature:-40°C~+105°C
 Housing:PA6T(UL94V-0),Black
 Contact:Brass,Gold Flash Over Nickel
 RoHS Compliant



Recommended P.C.B. Layout(Top View)
 (PCB Board Tolerance±0.05)



4UCON 元化興業股份有限公司
 4UCON TECHNOLOGY INC.

DRAWING No.		APPROVED BY		UNLESS OTHERWISE SPECIFIED TOLERANCES ARE X. ±0.25 X.* ±2* .X ±0.20 .X* ±1.5* .XX ±0.15 .XX* ±1* .XXX ±0.10 .XXX* ±0.5* UNIT mm
14145		MEI		
SCALE NONE		CHECKED BY HZF		
REV. A1		DRAWING BY CYP		

NO.	REV.	REVISIONS	CHK	DATE
⚠ A1		Modify Data	HZF	09/30/2016
⚠ A0		NEW RELEASE	HZF	10/15/2013