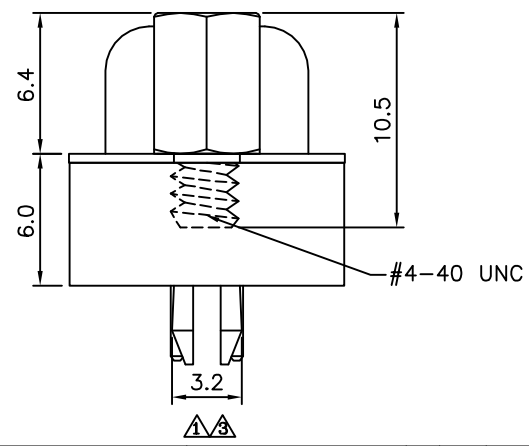
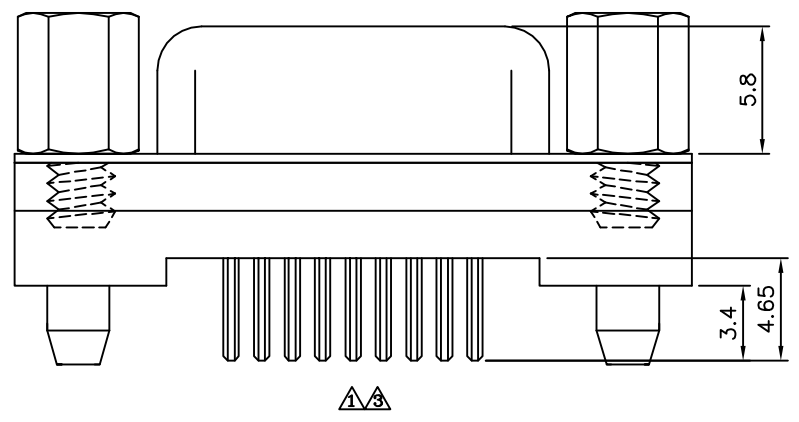
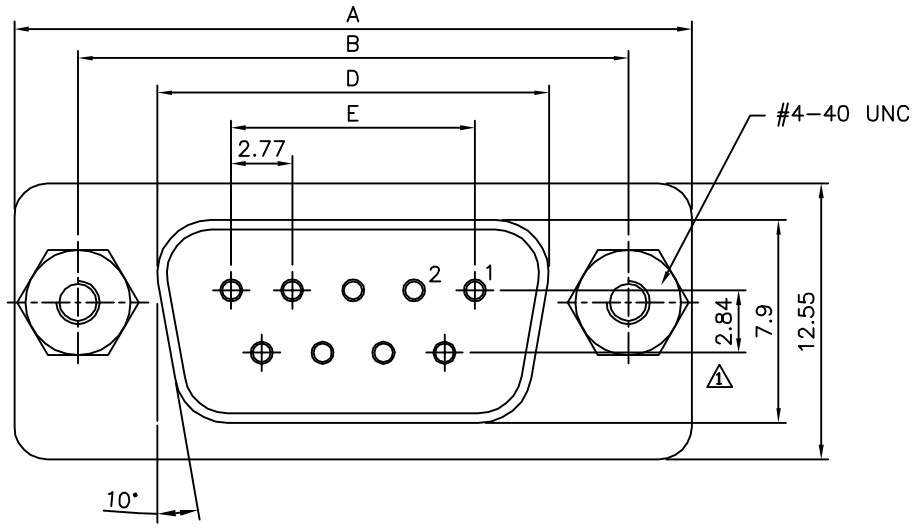


△△ SPECIFICATION
 Current Rating:3 Amp
 Voltage Rating:250V AC/RMS 60Hz
 Contact Resistance:20 Milliohms Max. At 1 Amp DC
 Insulation Resistance:1000 Megaohms At 500V DC
 Withstand Voltage:1000V AC/RMS 60Hz
 For 1 Minute
 △ Operation Temperature:-55°C~+105°C
 Insulator:PBT+G.F.(UL94V-0),Black
 Contact:Brass,Gold Plated On Contact Area,Tin
 Plated On Solder Tails,Over Nickel
 Shell:Steel,Tin Plated Over Copper
 Clinch Nut:Brass,Nickel Plated
 Boardlock:Brass,Tin Plated
 Screw:Brass,Nickel Plated
 RoHS Compliant



△ Pin	A	B	D	E
09	30.81	24.99	16.33	11.08
15	39.20	33.30	24.70	19.39
25	53.05	47.04	38.40	33.24
37	69.40	63.50	54.80	49.86

4UCON 元化興業股份有限公司
 4UCON TECHNOLOGY INC.

DRAWING No.		APPROVED BY		UNLESS OTHERWISE SPECIFIED TOLERANCES ARE .X ±0.38 X' ±3" .XX ±0.25 X' ±1.0" .XXX ±0.13
14857		MEI		
		CHECKED BY		
		HZF		
		DRAWING BY		UNIT mm
		SONG		
SCALE	NONE	REV.	B3	NO. REV.

△ B3	Modify Data	HZF	07/04/2012
△ B2	Add Operation Temp.	HZF	09/08/2011
△ B1	Modify Data	HZF	07/15/2011
△ B0	NEW RELEASE	BECKY	06/06/2006
NO. REV.	REVISIONS	CHK	DATE