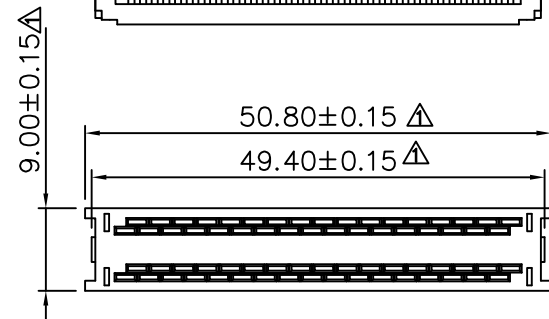
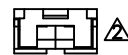
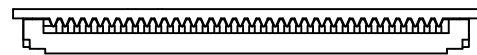
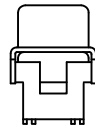
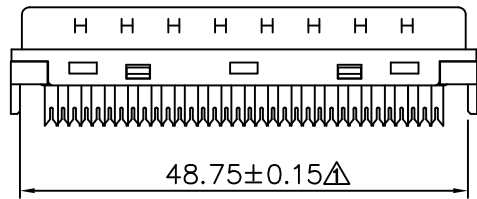
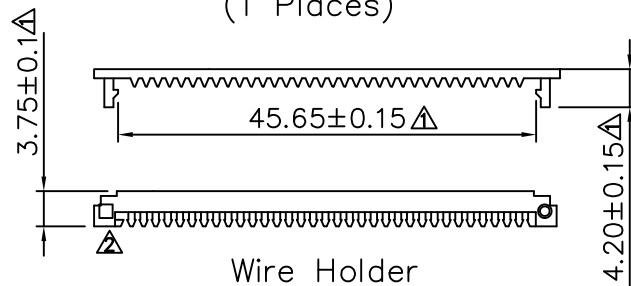
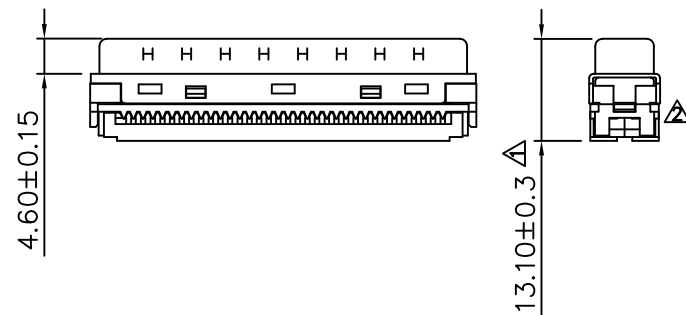
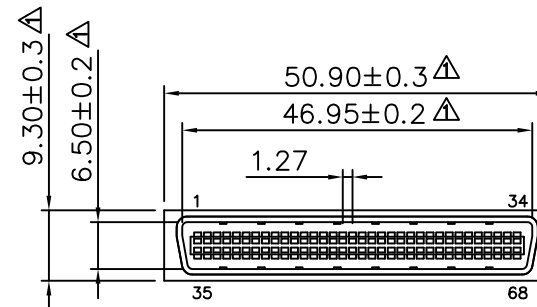


SPECIFICATION

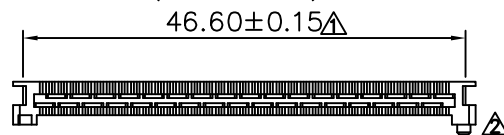
Current Rating:1 Amp
 Insulation Resistance:500 Megohms Min.
 Withstanding Voltage:500V AC/Minute
 Contact Resistance:35 Milliohms Max.
 Temperature Range:-55°C To +105°C
 Housing And Cover:Plastic Thermoplasitic
 P.B.T UL 94V-0,Black
 Contact:Phosphor Bronze Gold Selective Plated
 Shell:Steel,Nickel Plated Over Copper



Termination Cover
(1 Places)



Wire Holder
(2 Places)



4UCON 元化興業股份有限公司
 4UCON TECHNOLOGY INC.

DRAWING No.

14916

APPROVED BY

MEI

CHECKED BY

BECKY

DRAWING BY

TCF

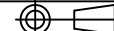
UNLESS OTHERWISE SPECIFIED TOLERANCES ARE

.X ±0.38
 .XX ±0.25
 .XXX

SCALE NONE

REV. A2

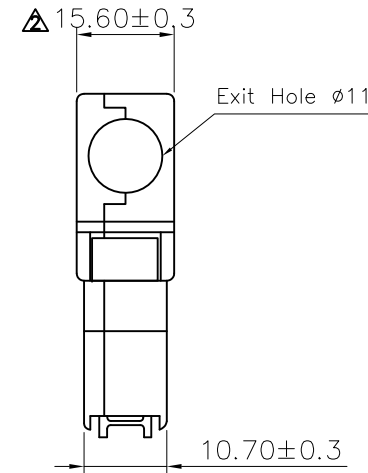
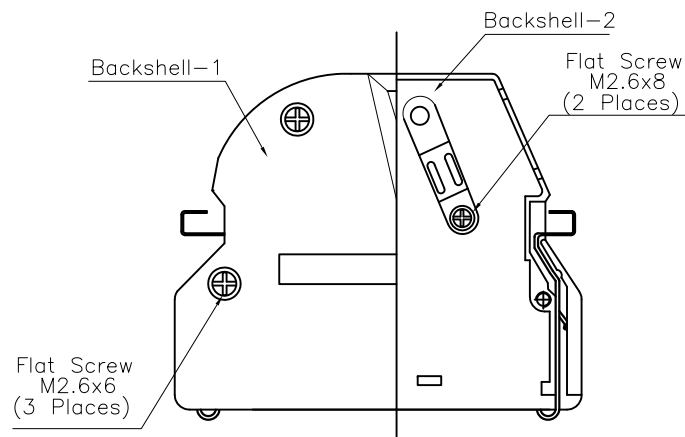
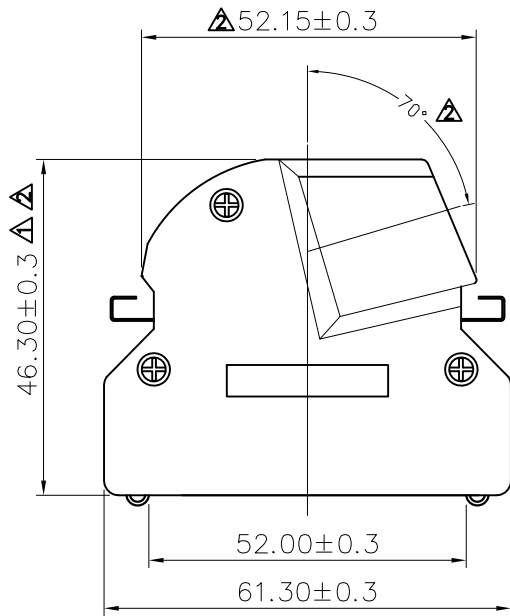
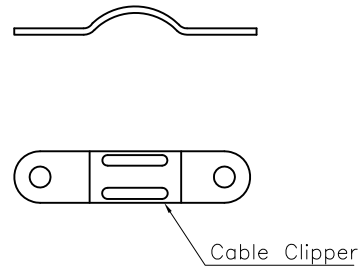
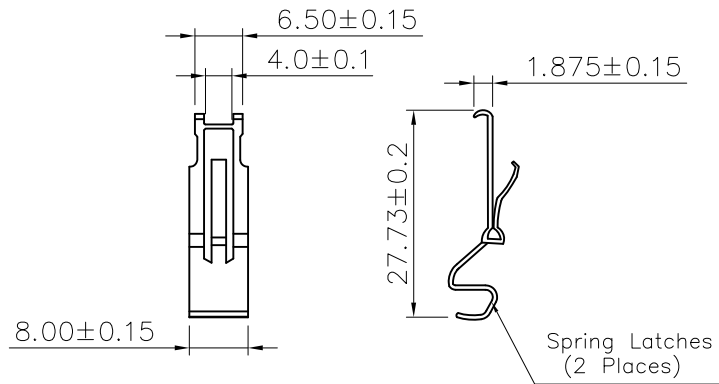
UNIT mm



NO.	REV.	REVISIONS	CHK	DATE
△A2		Modify Dim.	INGRID	01/10/2008
△A1		Modify Dim 46.30 → 45.80	HZF	08/28/2007
△A0		NEW RELEASE	BECKY	2004/08/02

SPECIFICATIONS

Round Cable Angled Exit 70°
 Strain Relief Staple With Spring Latches
 Backshell Desing By Die-Cast
 Excellent EMI/RFI Protection
 Backshell: Zinc, Nickel Plated Over Copper
 Spring Latches: Phosphor Bronze Over Nickel
 Screw: Steel, Nickel Plated Over Copper
 Cable Clipper: Steel, Nickel Plated



4UCON 元化興業股份有限公司
 4UCON TECHNOLOGY INC.

DRAWING No.

14916

APPROVED BY

MEI

CHECKED BY

BECKY

DRAWING BY

TCF

UNLESS OTHERWISE SPECIFIED TOLERANCES ARE

.X ±0.38

.XX ±0.25

.XXX

SCALE

NONE

REV.

A2

UNIT mm



NO. REV.

REVISIONS

CHK

DATE

△ A2	Modify Dim.	INGRID	01/10/2008
△ A1	Modify Dim 46.30 → 45.80	HZF	08/28/2007
△ A0	NEW RELEASE	BECKY	2004/08/02