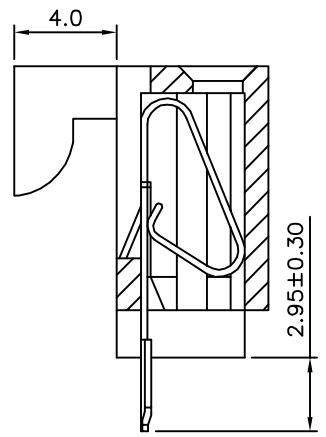
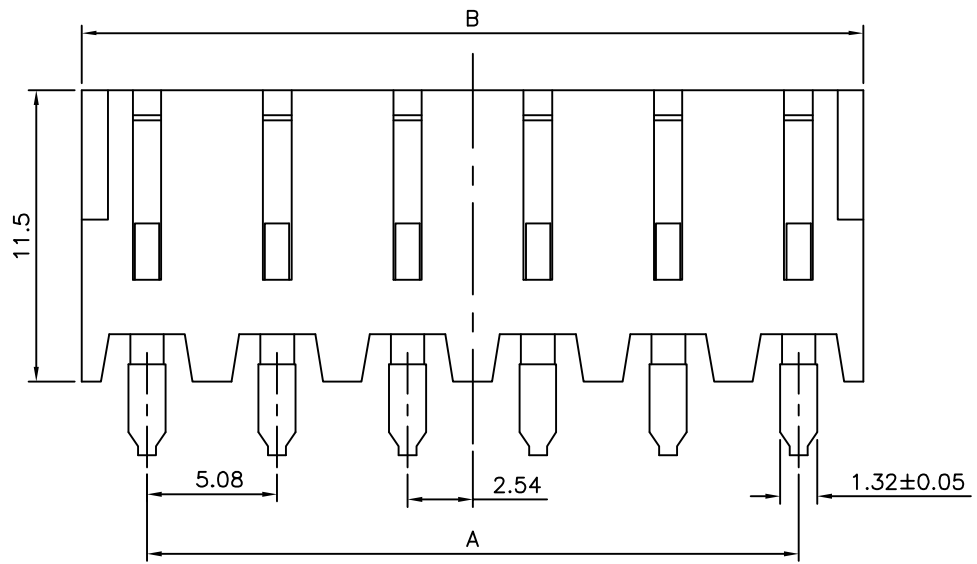
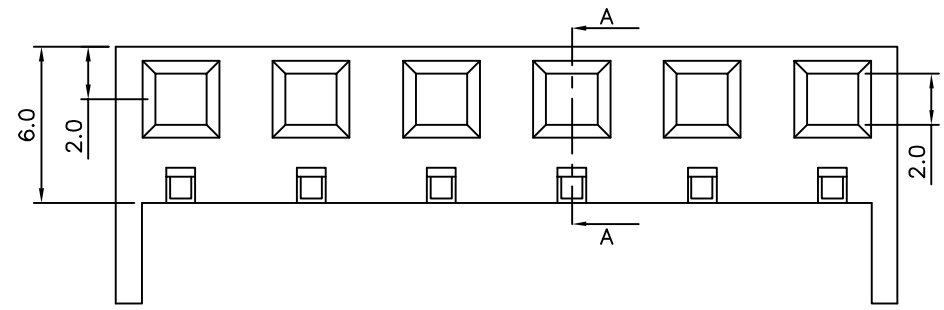


Recommended P.C.B. Layout

- △ SPECIFICATION**
- △ Current: 7.0A Max.
  - △ Voltage: 250V Max.
  - △ Withstanding Voltage: 1500V
  - △ Insulation Resistance: 500K Megaohms Min.
  - △ Temperature Range: -40°C ~ +105°C
  - △ Housing: PA66(UL94V-2), White
  - △ Contact: Brass, Tin Plated Over Nickel
  - △ RoHS Compliant



Section A-A

Pin	A	B
02	5.08±0.10	10.16±0.15
03	10.16±0.10	15.24±0.15
04	15.24±0.10	20.32±0.15
05	20.32±0.10	25.40±0.15
06	25.40±0.10	30.48±0.20
07	30.48±0.20	35.56±0.20
08	35.56±0.20	40.64±0.20
09	40.64±0.20	45.72±0.20
10	45.72±0.20	50.80±0.25
11	50.80±0.20	55.88±0.25
12	55.88±0.25	60.96±0.25

**4UCON** 元化興業股份有限公司  
4UCON TECHNOLOGY INC.

DRAWING No.		APPROVED BY		UNLESS OTHERWISE SPECIFIED TOLERANCES ARE △.X ±0.30 X.* ±1* .XX ±0.20 .X.* ±0.5* .XXX ±0.10 .XX.* ±0.25* UNIT mm
14954		MEI		
		CHECKED BY HZF		
		DRAWING BY CYP		
SCALE	NONE	REV.	A3	UNIT mm

NO.	REV.	REVISIONS	CHK	DATE
△A3		Modify Data	HZF	05/20/2015
△A2		Modify Data	HZF	07/03/2013
△A1		Modify Data	HZF	03/27/2009
△A0		NEW RELEASE	BECKY	2004/06/07