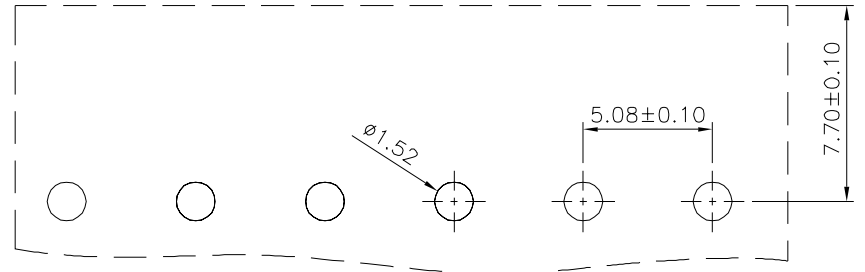
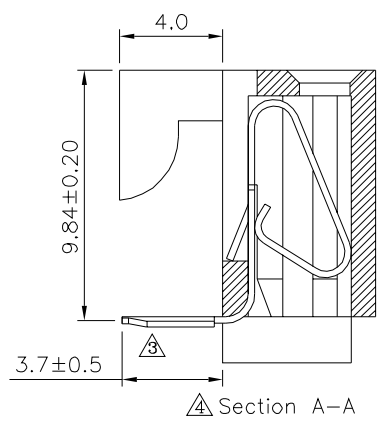
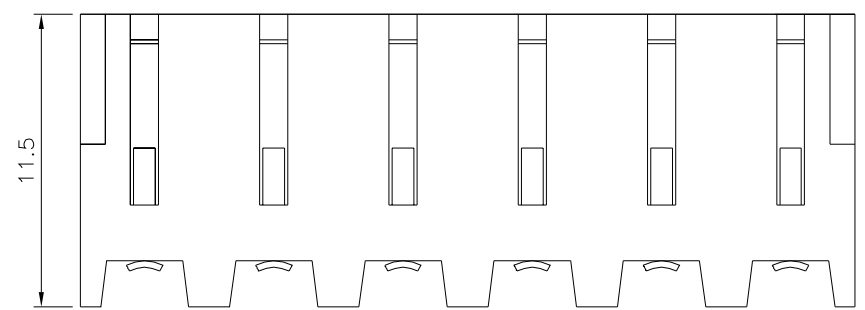
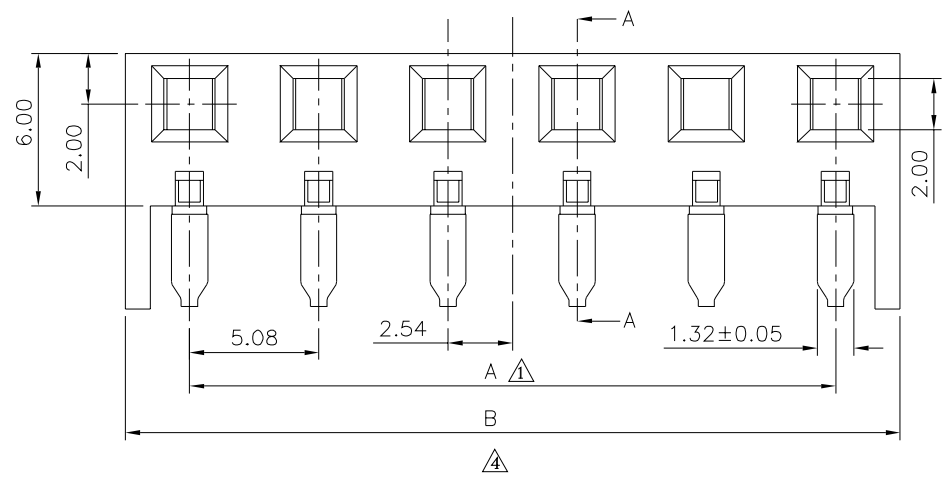


3. SPECIFICATION

Current: 7.0A Max.
 Voltage: 250V Max.
 Withstanding Voltage: 1500V
 Insulation Resistance: 500K Megaohms Min.
 Temperature Range: -40°C ~ +105°C
 Housing: PA66(UL94V-2), White
 Contact: Brass, Tin Plated Over Nickel
 RoHS Compliant



Recommended P.C.B. Layout



| Pin | A | B |
|-----|--------------|--|
| 02 | 5.08 ± 0.10 | 10.16 ^{+0.05} _{+0.20} |
| 03 | 10.16 ± 0.10 | 15.24 ^{+0.05} _{+0.25} |
| 04 | 15.24 ± 0.10 | 20.32 ^{+0.10} _{+0.25} |
| 05 | 20.32 ± 0.10 | 25.40 ^{+0.10} _{+0.25} |
| 06 | 25.40 ± 0.10 | 30.48 ^{+0.10} _{+0.25} |
| 07 | 30.48 ± 0.20 | 35.56 ^{+0.10} _{+0.25} |
| 08 | 35.56 ± 0.20 | 40.64 ^{+0.20} _{+0.40} |
| 09 | 40.64 ± 0.20 | 45.72 ^{+0.40} _{+0.40} |
| 10 | 45.72 ± 0.20 | 50.80 ^{+0.20} _{+0.45} |
| 11 | 50.80 ± 0.20 | 55.88 ^{+0.20} _{+0.75} |
| 12 | 55.88 ± 0.25 | 60.96 ^{+0.50} _{+0.75} |
| 13 | 60.96 ± 0.25 | 66.04 ^{+0.50} _{+0.75} |
| 14 | 66.04 ± 0.25 | 71.12 ^{+0.50} _{+0.75} |
| 15 | 71.12 ± 0.25 | 76.20 ^{+0.50} _{+0.75} |
| 16 | 76.20 ± 0.25 | 81.28 ^{+0.50} _{+0.75} |
| 17 | 81.28 ± 0.30 | 86.36 ^{+0.50} _{+0.75} |
| 18 | 86.36 ± 0.30 | 91.44 ^{+0.50} _{+0.75} |
| 19 | 91.44 ± 0.30 | 96.52 ^{+0.50} _{+0.75} |
| 20 | 96.52 ± 0.30 | 101.60 ^{+0.50} _{+0.75} |

4UCON 元化興業股份有限公司
 4UCON TECHNOLOGY INC.

| | | | | |
|-------------|------|-------------|----|---|
| DRAWING No. | | APPROVED BY | | UNLESS OTHERWISE SPECIFIED TOLERANCES ARE △.X ± 0.30 X.* ± 1* .XX ± 0.20 .X* ± 0.5* .XXX ± 0.10 .XX* ± 0.25* |
| 14971 | | MEI | | |
| | | HZF | | |
| | | HAO | | |
| SCALE | NONE | REV. | A4 | UNIT mm |

| | | | |
|----------|-------------|-------|------------|
| △ A4 | Modify Data | HZF | 03/16/2023 |
| △ A3 | Modify Data | HZF | 05/20/2015 |
| △ A2 | Modify Data | HZF | 07/03/2013 |
| △ A1 | Modify Data | HZF | 03/27/2009 |
| △ A0 | NEW RELEASE | BECKY | 2004/06/07 |
| NO. REV. | REVISIONS | CHK | DATE |