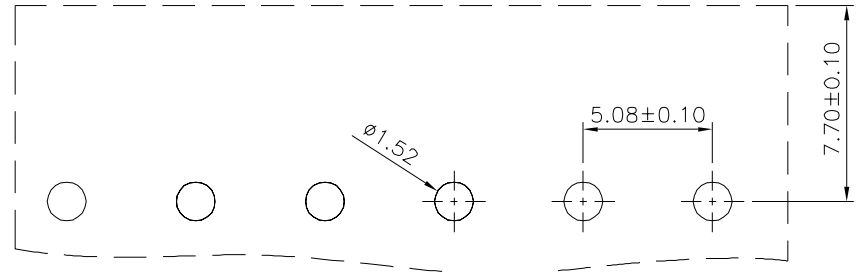
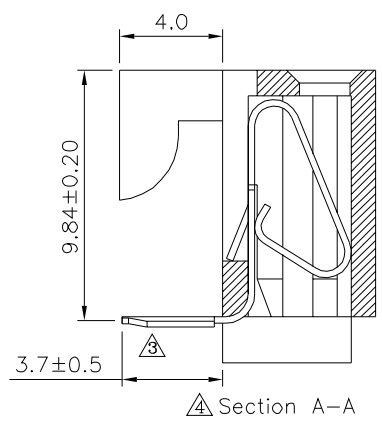
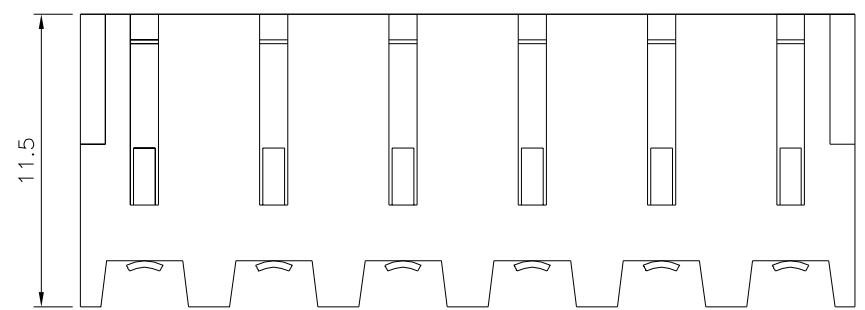
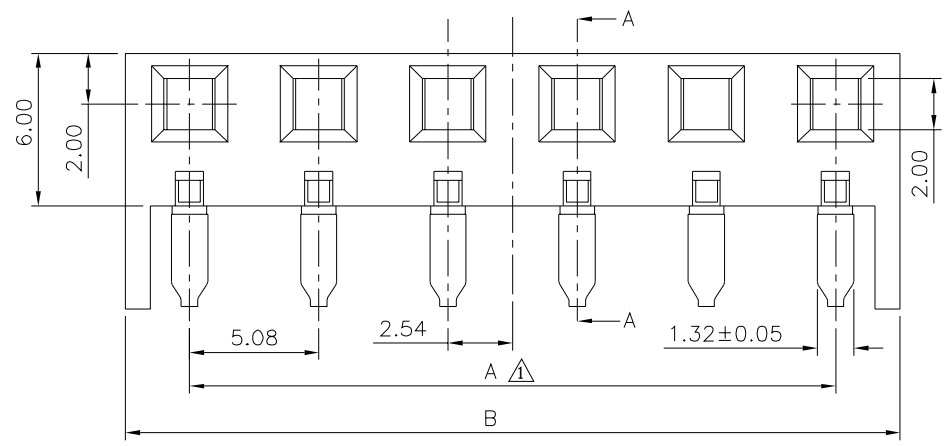


3. SPECIFICATION

Current:7.0A Max.
 Voltage:250V Max.
 Withstanding Voltage:1500V
 Insulation Resistance:500K Megaohms Min.
 Temperature Range:-40°C~+105°C
 △ Housing:PA66(UL94V-2),White
 △ Contact:Brass,Tin Plated Over Nickel
 RoHS Compliant



Recommended P.C.B. Layout



Pin	A	B
02	5.08±0.10	10.16 ^{+0.05} _{+0.20}
03	10.16±0.10	15.24 ^{+0.05} _{+0.25}
04	15.24±0.10	20.32 ^{+0.10} _{+0.25}
05	20.32±0.10	25.40 ^{+0.10} _{+0.25}
06	25.40±0.10	30.48 ^{+0.10} _{+0.25}
07	30.48±0.20	35.56 ^{+0.10} _{+0.25}
08	35.56±0.20	40.64 ^{+0.20} _{+0.40}
09	40.64±0.20	45.72 ^{+0.40} _{+0.40}
10	45.72±0.20	50.80 ^{+0.20} _{+0.45}
11	50.80±0.20	55.88 ^{+0.20} _{+0.75}
12	55.88±0.25	60.96 ^{+0.50} _{+0.75}
13	60.96±0.25	66.04 ^{+0.50} _{+0.75}
14	66.04±0.25	71.12 ^{+0.50} _{+0.75}
15	71.12±0.25	76.20 ^{+0.50} _{+0.75}
16	76.20±0.25	81.28 ^{+0.50} _{+0.75}
17	81.28±0.30	86.36 ^{+0.50} _{+0.75}
18	86.36±0.30	91.44 ^{+0.50} _{+0.75}
19	91.44±0.30	96.52 ^{+0.50} _{+0.75}
20	96.52±0.30	101.60 ^{+0.50} _{+0.75}

4UCON 元化興業股份有限公司
 4UCON TECHNOLOGY INC.

DRAWING No.		APPROVED BY		UNLESS OTHERWISE SPECIFIED TOLERANCES ARE △.X ±0.30 X.* ±1* .XX ±0.20 .X.* ±0.5* .XXX ±0.10 .XX.* ±0.25*	△ A4	Modify Data	HZF	03/16/2023
14972		MEI			△ A3	Modify Data	HZF	05/20/2015
		CHECKED BY			△ A2	Modify Data	HZF	07/03/2013
SCALE NONE		DRAWING BY		△ A1	Modify Data	HZF	03/27/2009	
		HAO		△ A0	NEW RELEASE	BECKY	2004/06/07	
REV.	A4	UNIT	mm	NO.	REV.	REVISIONS	CHK	DATE