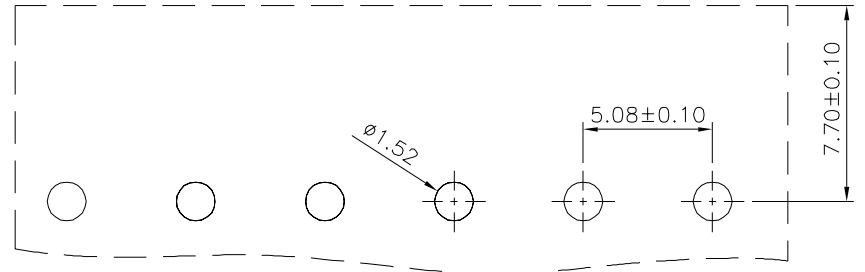
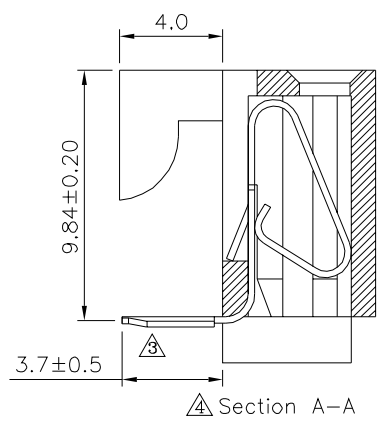
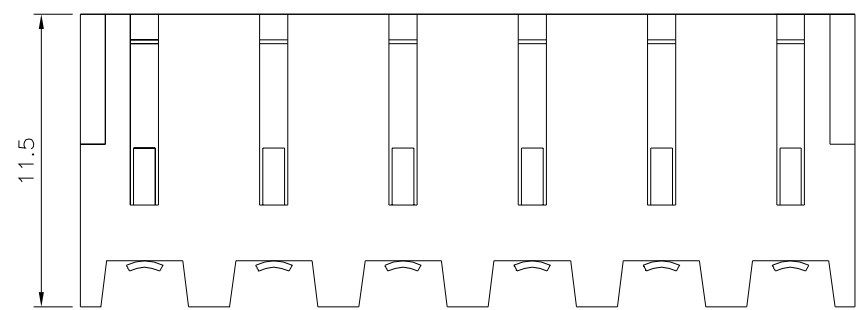
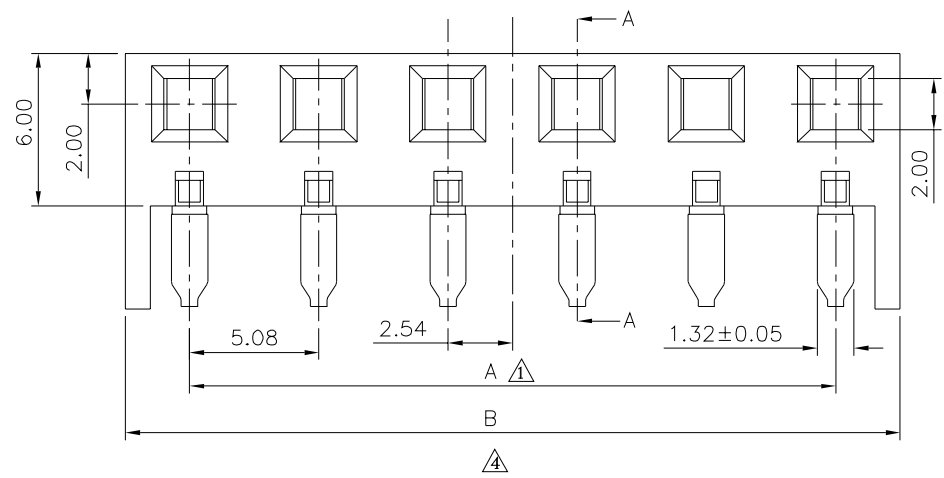


**3. SPECIFICATION**  
 Current: 7.0A Max.  
 Voltage: 250V Max.  
 Withstanding Voltage: 1500V  
 Insulation Resistance: 500K Megaohms Min.  
 Temperature Range: -40°C ~ +105°C  
 Housing: PA66(UL94V-2), White  
 Contact: Brass, Tin Plated Over Nickel  
 RoHS Compliant



Recommended P.C.B. Layout



Pin	A	B
02	5.08 ± 0.10	10.16 <sup>+0.05</sup> <sub>+0.20</sub>
03	10.16 ± 0.10	15.24 <sup>+0.05</sup> <sub>+0.25</sub>
04	15.24 ± 0.10	20.32 <sup>+0.10</sup> <sub>+0.25</sub>
05	20.32 ± 0.10	25.40 <sup>+0.10</sup> <sub>+0.25</sub>
06	25.40 ± 0.10	30.48 <sup>+0.10</sup> <sub>+0.25</sub>
07	30.48 ± 0.20	35.56 <sup>+0.10</sup> <sub>+0.25</sub>
08	35.56 ± 0.20	40.64 <sup>+0.20</sup> <sub>+0.40</sub>
09	40.64 ± 0.20	45.72 <sup>+0.40</sup> <sub>+0.40</sub>
10	45.72 ± 0.20	50.80 <sup>+0.20</sup> <sub>+0.45</sub>
11	50.80 ± 0.20	55.88 <sup>+0.20</sup> <sub>+0.45</sub>
12	55.88 ± 0.25	60.96 <sup>+0.50</sup> <sub>+0.75</sub>
13	60.96 ± 0.25	66.04 <sup>+0.50</sup> <sub>+0.75</sub>
14	66.04 ± 0.25	71.12 <sup>+0.50</sup> <sub>+0.75</sub>
15	71.12 ± 0.25	76.20 <sup>+0.50</sup> <sub>+0.75</sub>
16	76.20 ± 0.25	81.28 <sup>+0.50</sup> <sub>+0.75</sub>
17	81.28 ± 0.30	86.36 <sup>+0.50</sup> <sub>+0.75</sub>
18	86.36 ± 0.30	91.44 <sup>+0.50</sup> <sub>+0.75</sub>
19	91.44 ± 0.30	96.52 <sup>+0.50</sup> <sub>+0.75</sub>
20	96.52 ± 0.30	101.60 <sup>+0.50</sup> <sub>+0.75</sub>

**4UCON** 元化興業股份有限公司  
 4UCON TECHNOLOGY INC.

DRAWING No.		APPROVED BY		UNLESS OTHERWISE SPECIFIED TOLERANCES ARE △.X ±0.30 X.* ±1* .XX ±0.20 .X.* ±0.5* .XXX ±0.10 .XX.* ±0.25*
14973		MEI		
		HZF		
		HAO		
SCALE	NONE	REV.	A4	UNIT mm

△A4	Modify Data	HZF	03/16/2023
△A3	Modify Data	HZF	05/20/2015
△A2	Modify Data	HZF	07/03/2013
△A1	Modify Data	HZF	03/27/2009
△A0	NEW RELEASE	BECKY	2004/06/07
NO. REV.	REVISIONS	CHK	DATE