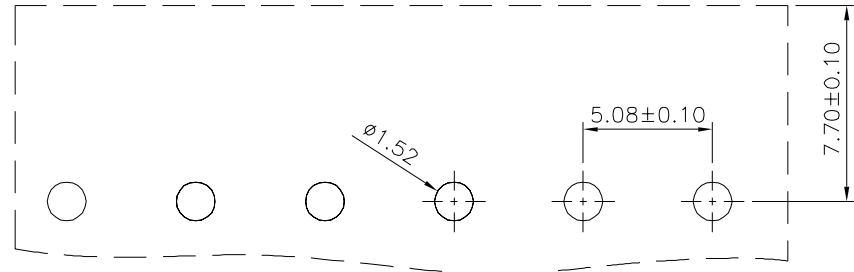
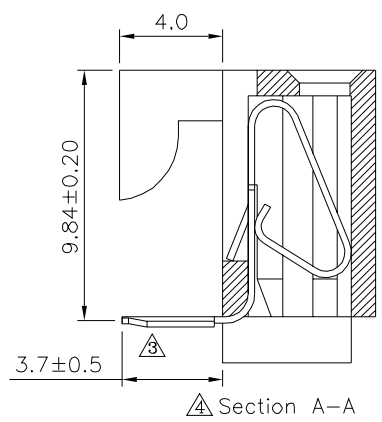
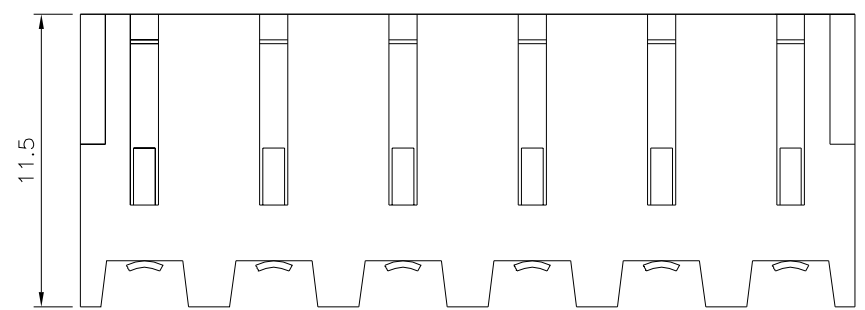
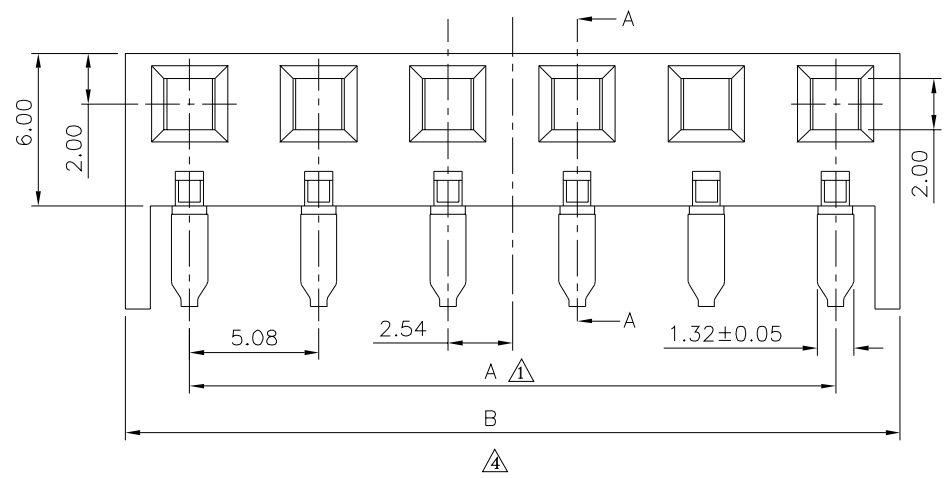


3. SPECIFICATION
 Current: 7.0A Max.
 Voltage: 250V Max.
 Withstanding Voltage: 1500V
 Insulation Resistance: 500K Megaohms Min.
 Temperature Range: -40°C ~ +105°C
 Housing: PA66(UL94V-2), White
 Contact: Brass, Tin Plated Over Nickel
 RoHS Compliant



Recommended P.C.B. Layout



Pin	A	B
02	5.08 ± 0.10	10.16 ^{+0.05} _{-0.20}
03	10.16 ± 0.10	15.24 ^{+0.05} _{-0.25}
04	15.24 ± 0.10	20.32 ^{+0.10} _{-0.25}
05	20.32 ± 0.10	25.40 ^{+0.10} _{-0.25}
06	25.40 ± 0.10	30.48 ^{+0.10} _{-0.25}
07	30.48 ± 0.20	35.56 ^{+0.10} _{-0.25}
08	35.56 ± 0.20	40.64 ^{+0.20} _{-0.40}
09	40.64 ± 0.20	45.72 ^{+0.40} _{-0.40}
10	45.72 ± 0.20	50.80 ^{+0.20} _{-0.45}
11	50.80 ± 0.20	55.88 ^{+0.20} _{-0.45}
12	55.88 ± 0.25	60.96 ^{+0.50} _{-0.75}
13	60.96 ± 0.25	66.04 ^{+0.50} _{-0.75}
14	66.04 ± 0.25	71.12 ^{+0.50} _{-0.75}
15	71.12 ± 0.25	76.20 ^{+0.50} _{-0.75}
16	76.20 ± 0.25	81.28 ^{+0.50} _{-0.75}
17	81.28 ± 0.30	86.36 ^{+0.50} _{-0.75}
18	86.36 ± 0.30	91.44 ^{+0.50} _{-0.75}
19	91.44 ± 0.30	96.52 ^{+0.50} _{-0.75}
20	96.52 ± 0.30	101.60 ^{+0.50} _{-0.75}

4UCON 元化興業股份有限公司
 4UCON TECHNOLOGY INC.

DRAWING No.		APPROVED BY		UNLESS OTHERWISE SPECIFIED TOLERANCES ARE △.X ±0.30 X.* ±1* .XX ±0.20 .X* ±0.5* .XXX ±0.10 .XX* ±0.25*	△A4	Modify Data	HZF	03/16/2023	
14976		MEI			△A3	Modify Data	HZF	05/20/2015	
		CHECKED BY			△A2	Modify Data	HZF	07/03/2013	
SCALE		DRAWING BY		△A1	Modify Data	HZF	03/27/2009		
		NONE		HAO		△A0	NEW RELEASE	BECKY 2004/06/07	
REV.		A4		UNIT	NO. REV.		REVISIONS	CHK	DATE
				mm					

