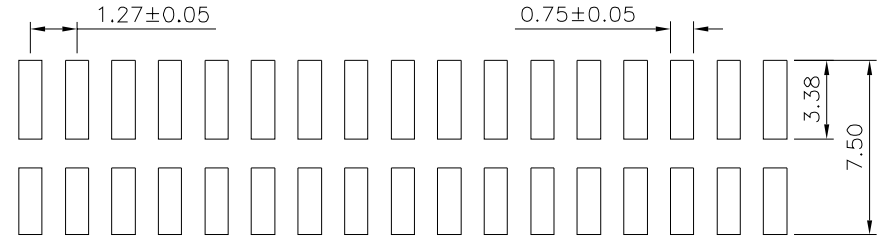
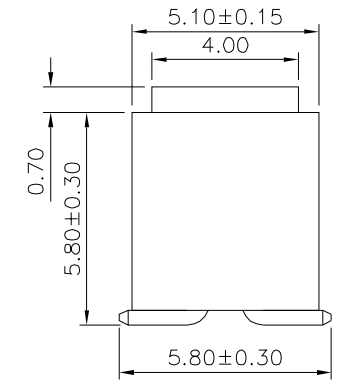
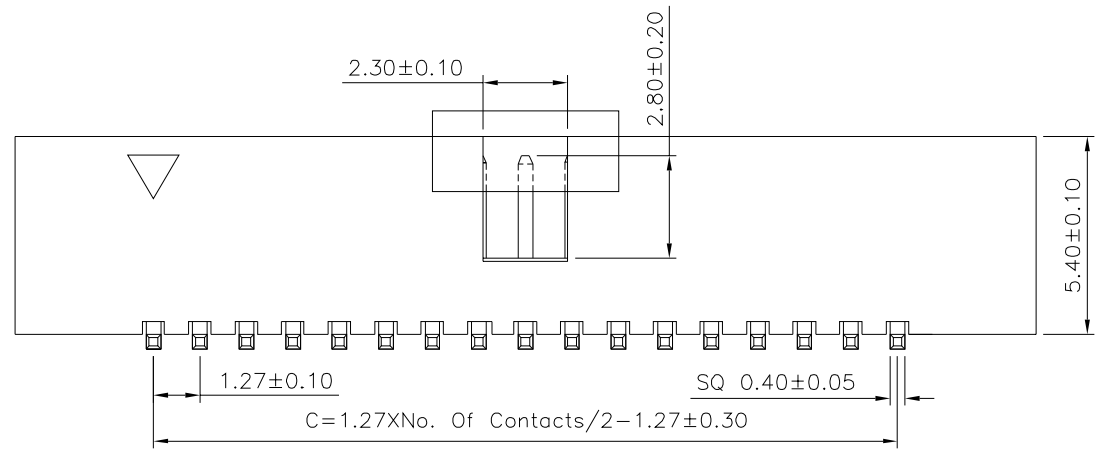
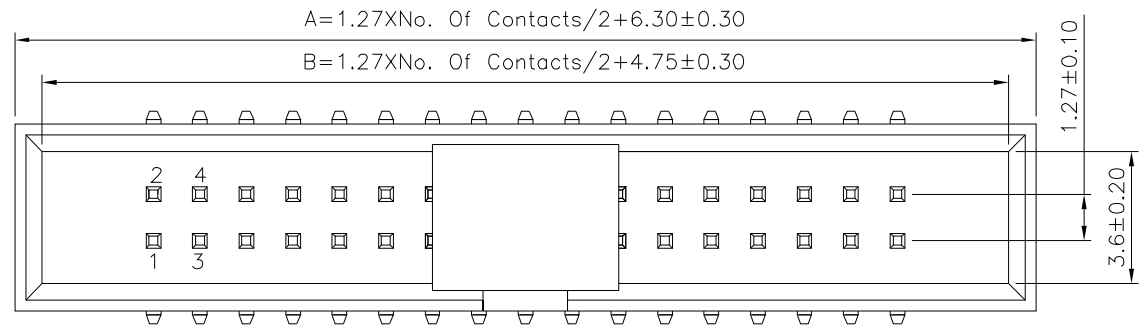


SPECIFICATION

Current Rating:1 Amp
 Withstand Voltage:500V AC/Minute
 Contact Resistance:20 Milliohms Max.
 Insulation Resistance:1000 Megaohms Min.
 Operation Temperature:-40°C~+105°C
 Housing:PA9T+30%G.F.(UL94V-0),Black
 Contact:Brass,Gold Flash Over Nickel
 RoHS Compliant



Recommended P.C.B. Layout
 (PCB Board Tolerance±0.05)



Pin	A	B	C
6	10.11	8.56	2.54
10	12.65	11.10	5.08
12	13.92	12.37	6.35
14	15.19	13.64	7.62
16	16.46	14.91	8.89
20	19.00	17.45	11.43
24	21.54	19.99	13.97
26	22.81	21.26	15.24
28	24.08	22.53	16.51
30	25.35	23.80	17.78
34	27.89	26.34	20.32
40	31.70	30.15	24.13
44	34.24	32.69	26.67
50	38.05	36.50	30.48
60	44.40	42.85	36.83
64	46.94	45.39	39.37
68	49.48	47.93	41.91
80	57.10	55.55	49.53
100	69.80	68.25	62.23

4UCON 元化興業股份有限公司
 4UCON TECHNOLOGY INC.

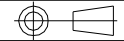
DRAWING No.
 15489

APPROVED BY MEI
 CHECKED BY HZF
 DRAWING BY CYP
 REV. A0

UNLESS OTHERWISE SPECIFIED TOLERANCES ARE
 .X ±0.30
 .XX ±0.20

SCALE NONE

UNIT mm



NO. REV. A0 NEW RELEASE HZF 09/16/2016
 REVISIONS CHK DATE