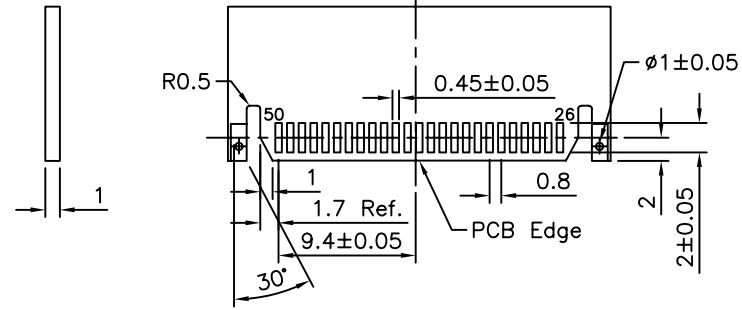
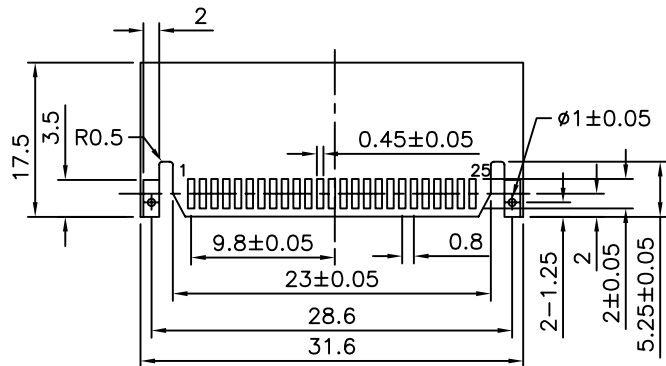


SPECIFICATIONS
 Current Rating: 0.5 Amp
 Dielectric Withstanding Voltage: 250VAC
 Insulation Resistance: 500 Megohms Min.
 Contact Resistance: 80 Milliohms Max.
 Operation Temperature: -55°C To +85°C
 Contact: Phosphor Bronze
 30u" Min. Gold On Mating End
 120u" Min. Tin-Lead On Termination End
 All Underplated 50u" Min. Nickel
 Insulator: Thermoplastic, UL 94V-0
 Shell: Cold Roller Steel
 120u" Min. Nickel Over 80u" Min. Copper



Recommended PCB Layout Referential Layout

4UCON 元化興業股份有限公司
 4UCON TECHNOLOGY INC.

DRAWING No. 15674

APPROVED BY MEI
 CHECKED BY BECKY
 DRAWING BY HZF

UNLESS OTHERWISE SPECIFIED TOLERANCES ARE
 .X ±0.38
 .XX ±0.25
 ANG.

SCALE NONE

REV. A0

UNIT mm



NO. REV.	A0	NEW RELEASE	BECKY	12/13/2004
		REVISIONS	CHK	DATE