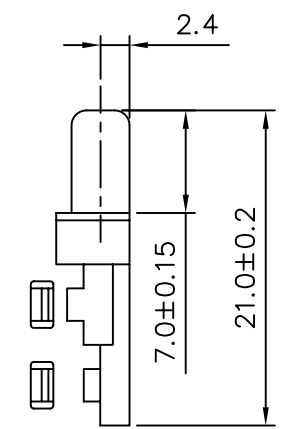
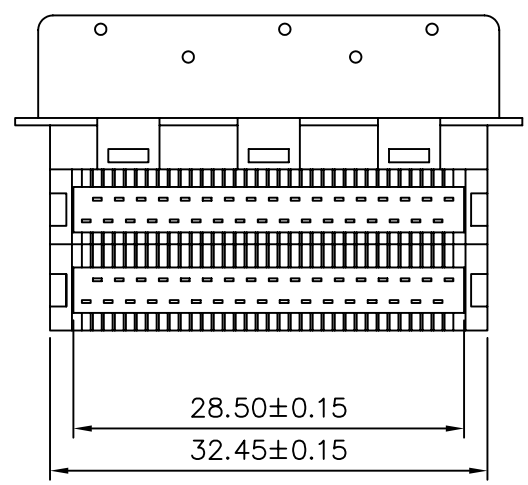
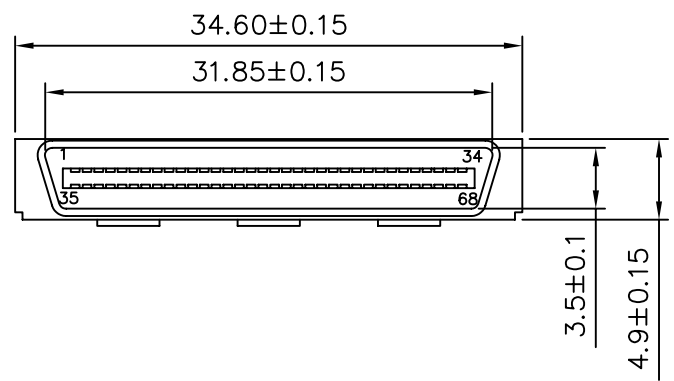


SPECIFICATIONS
 Current Rating:0.5AMP
 Dielectric Withstanding Voltage:250VAC
 Insulation Resistance:500 Megohms Min.
 Contact Resistance:60 Milliohms Max.
 Operation Temperature:-55°C To +105°C
 Insulator:Thermoplastic UL 94V-0
 Contacts:Phosphor Bronze
 30u"Min.Gold On Mating End
 All 1.3u" Nickel Under Plating
 Shell:Cold Roller Steel
 3u"min Nickel Or Bright
 Tin Over 2u"Min.Copper



4UCON 元化興業股份有限公司
 4UCON TECHNOLOGY INC.

DRAWING No.		APPROVED BY		UNLESS OTHERWISE SPECIFIED TOLERANCES ARE .X ±0.38 .XX ±0.25 ANG.
15677		MEI		
		RAN		
		DRAWING BY		
		HZF		
SCALE	NONE	REV.	A	UNIT mm

NO.	REV.	REVISIONS	CHK	DATE
△	A	NEW RELEASE	RAN	