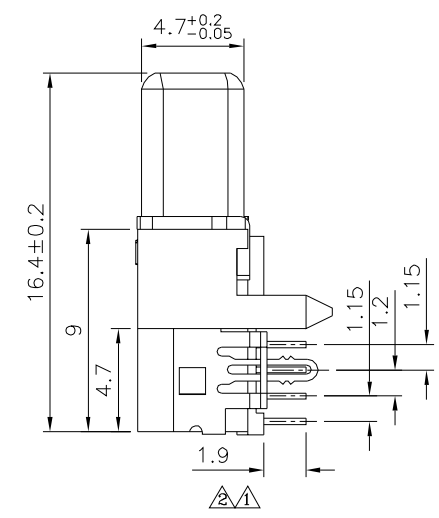
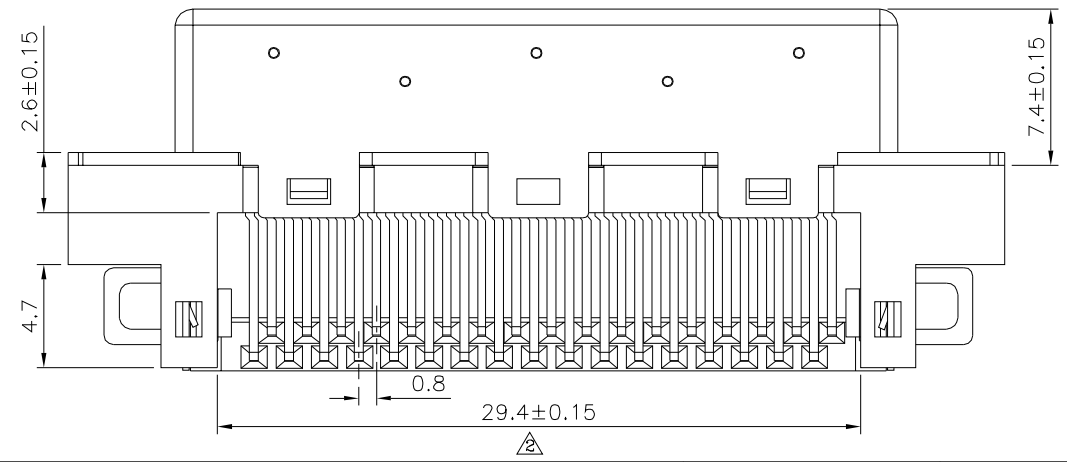
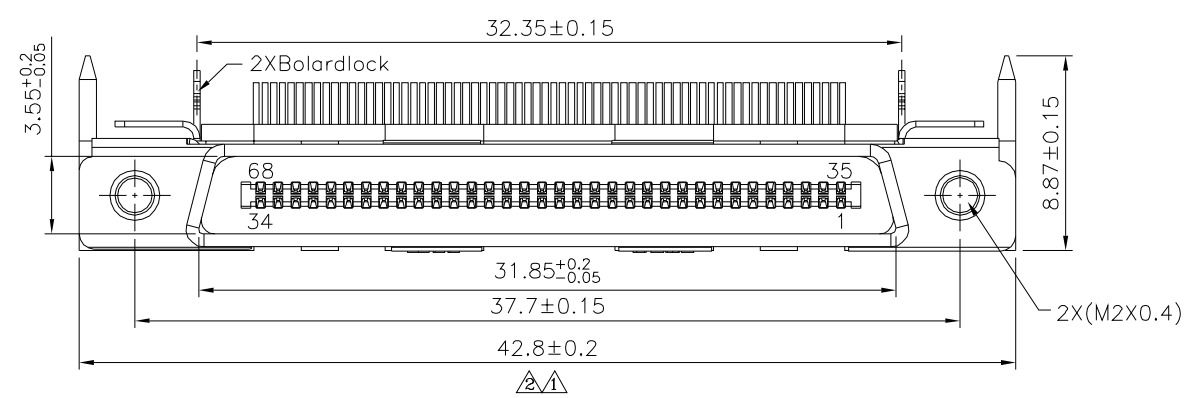


△ SPECIFICATION
 Current Rating: 0.5 Amp
 Withstand Voltage: 250V AC
 Contact Resistance: 80 Milliohms Max.
 Insulation Resistance: 500 Megaohms Min.
 Operation Temperature: $-55^{\circ}\text{C} \sim +85^{\circ}\text{C}$
 Insulator: PA9T(UL94V-0)
 Shell: Cold Roller Steel, Nickel Plated Over Copper
 Contact: Phosphor Bronze
 Gold Plated 30u" On Contact Area
 Tin Plated On Solder Tails, Over Nickel
 RoHS Compliant



4UCON 元化興業股份有限公司
 4UCON TECHNOLOGY INC.

DRAWING No.		APPROVED BY		UNLESS OTHERWISE SPECIFIED TOLERANCES ARE △ X. ± 0.25 .X ± 0.2 .XX ± 0.15 ANG. $\pm 1^{\circ}$
15679		MEI		
		HZF		
		DRAWING BY		UNIT mm
		SONG		
SCALE	NONE	REV.	A2	

NO.	REV.	REVISIONS	CHK	DATE
△ A2		Modify Data	HZF	04/25/2014
△ A1		Modify Data	HZF	08/12/2011
△ A0		NEW RELEASE		