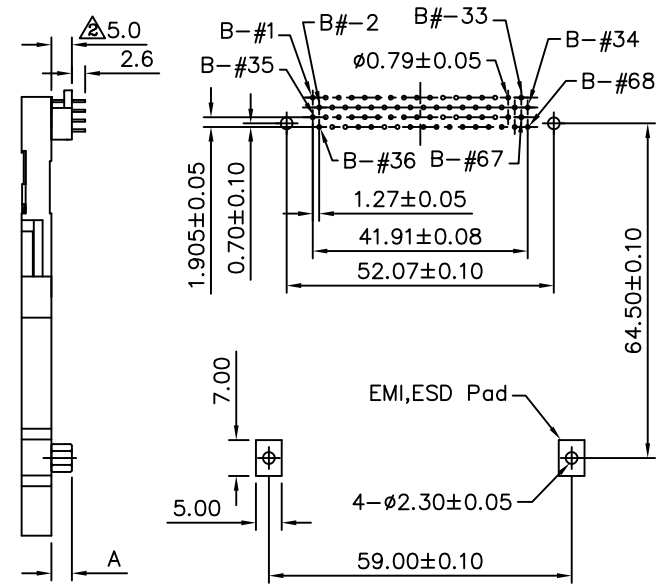
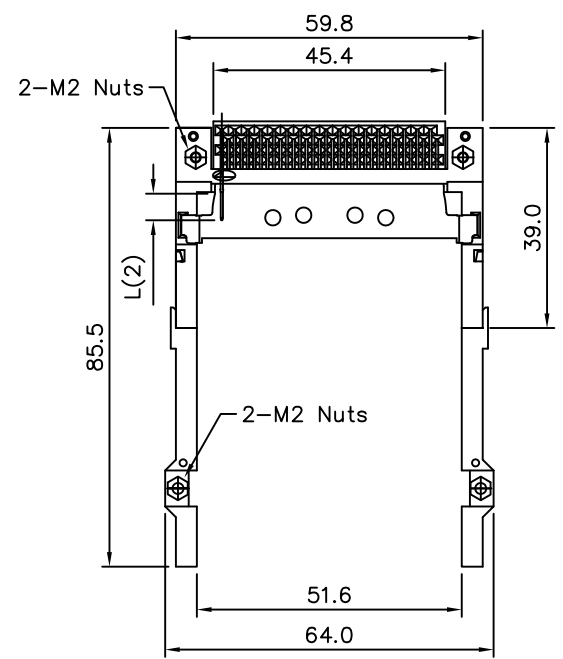
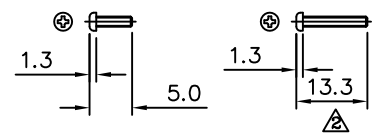
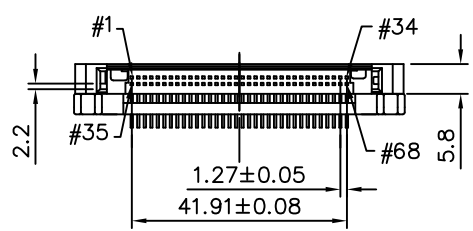


△ SPECIFICATIONS
 Insulator: UL 94V-0, PBT
 Contact: Copper Alloy
 Color: Black
 Contact Plating: Selective 15u" Gold Over 50u"
 Nickel Overall
 Voltage Rating: 3.3V
 With 4Pcs M2 Screws
 Accept PCMCIA Type I, Type II Or Type III Card



Recommended Hole Pattern



Pin Type	Dim. L ±0.10	Pin Number
Detect	3.50	36, 67
General	4.25	All Other Pins
Power	5.00	1,17,34,35,51,68

4UCON 元化興業股份有限公司
 4UCON TECHNOLOGY INC.

DRAWING No.		APPROVED BY		UNLESS OTHERWISE SPECIFIED					
15692		MEI		TOLERANCES ARE					
		CHECKED BY		.X ±0.30		△ A2		Modify Dim&Insulator	
		BECKY		.XX ±0.20		△ A1		Add Dim.A:2.0&Dim.C:10.3	
		DRAWING BY		.XXX ±0.10		△ A0		NEW RELEASE	
		TCF		UNIT		NO.REV.		REVISIONS	
SCALE		REV.		mm		CHK		DATE	
NONE		A2		⌀					