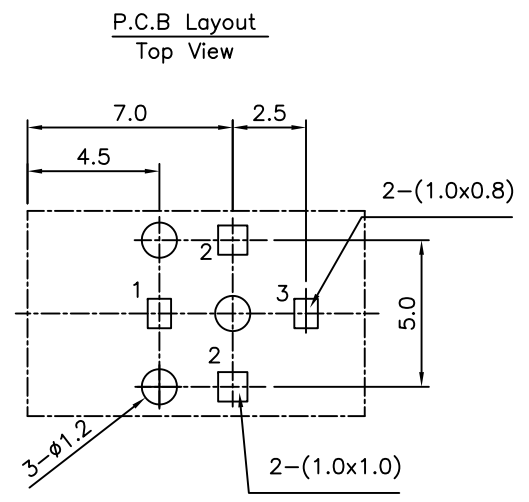
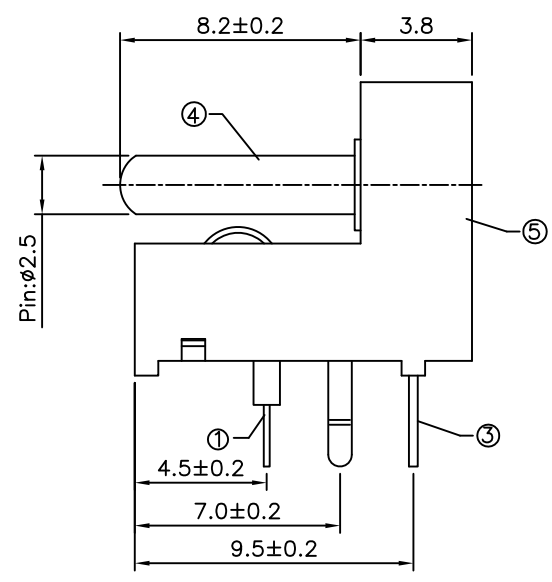
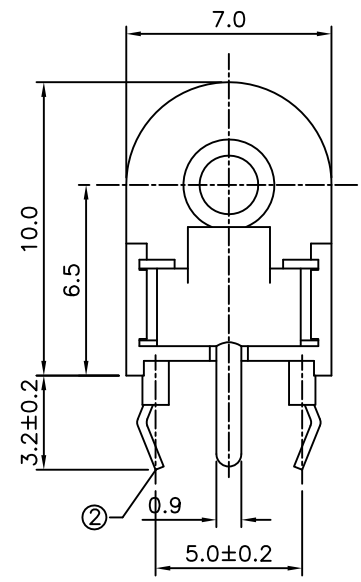
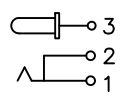


SPECIFICATION

Rating:DC 30V 0.5A
 Contact Resistance:0.03 ohms Max.
 Insulation Resistance:100Megohms(DC250V) Min.
 Withstand Voltage:500VAC
 Insertion And Extraction Force:3-20N
 Life Test: 5,000 Cycles



Schematic



5	Housing	1	PA66+GF15%	
4	Pin	1	Brass	Ni-Plating
3	Flat Piece	1	Brass	Ag-Plating
2	Curve Piece	1	Brass	Ag-Plating
1	Spring	1	Bronze	Ag-Plating
NO.	Description	QTY	Material	Plating

4UCON 元化興業股份有限公司
 4UCON TECHNOLOGY INC.

DRAWING No. 15697
 SCALE NONE

APPROVED BY MEI
 CHECKED BY HZF
 DRAWING BY JLT
 REV. A0

UNLESS OTHERWISE SPECIFIED TOLERANCES ARE
 .X ±0.15
 ANG: ±1.5°
 UNIT mm

NO.	REV.	DESCRIPTION	CHK	DATE
△ A0		NEW RELEASE	HZF	03/07/2007
		REVISIONS		