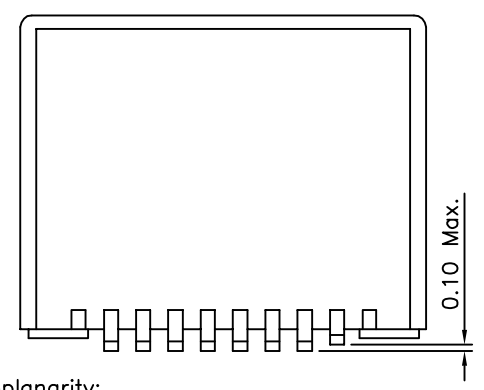
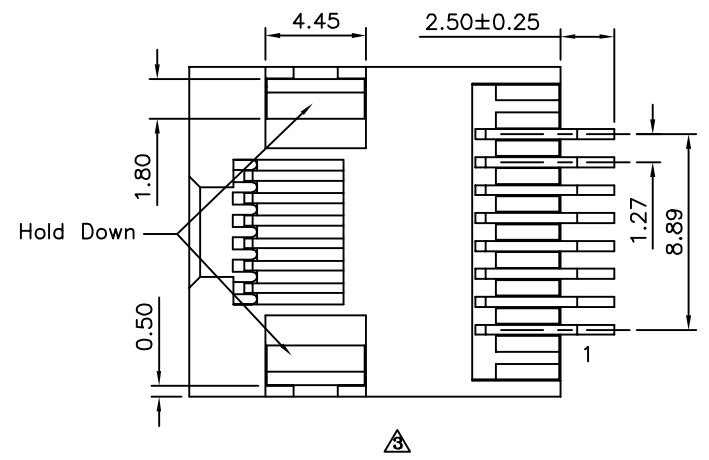
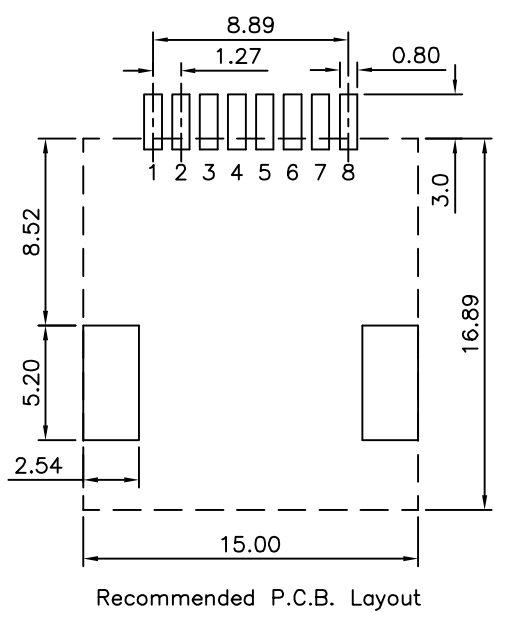
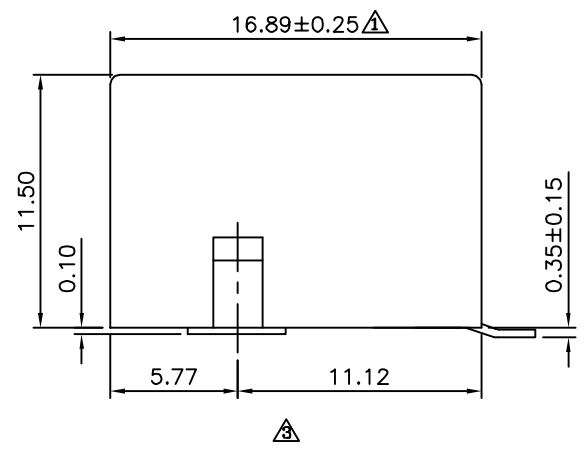
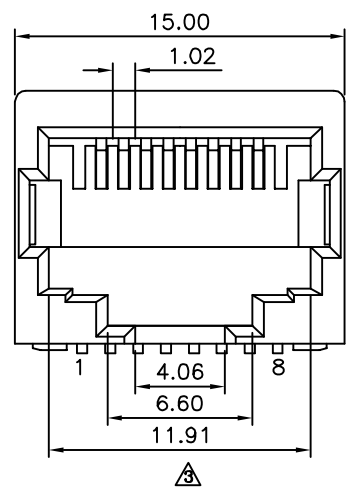


△ SPECIFICATION

Housing: PA9T(UL94V-0), Black
 △ Insert Housing: PA46(UL94V-0), Nonmetallic Pearl Color
 Contact: Phosphor Bronze
 Gold Plated 06u" On Contact Area,
 Gold Flash On Other Area, Over Nickel
 Hold Down: Copper Alloy, Tin Plated
 Cavity Confirms To FCC Rules And Regulations
 Part 68, Subpart F.
 RoHS Compliant



△ Coplanarity:
 The Maximum Distance Between Lowest And Highest Pin When Housing Rests On A Flat Surface

4UCON 元化興業股份有限公司
 4UCON TECHNOLOGY INC.

DRAWING No.		APPROVED BY		UNLESS OTHERWISE SPECIFIED TOLERANCES ARE .X ±0.25 .XX ±0.13 .XXX ±0.05 ANG. ±0.5°
15796		EMILY		
		CHECKED BY HZF		
		DRAWING BY GAO		UNIT mm
SCALE	NONE	REV.	A3	

NO.	REV.	REVISIONS	CHK	DATE
△ A3		Modify Data	HZF	08/10/2013
△ A2		Modify Data	HZF	09/14/2010
△ A1		Modify Data	HZF	11/24/2009
△ A0		NEW RELEASE	HZF	10/20/2008