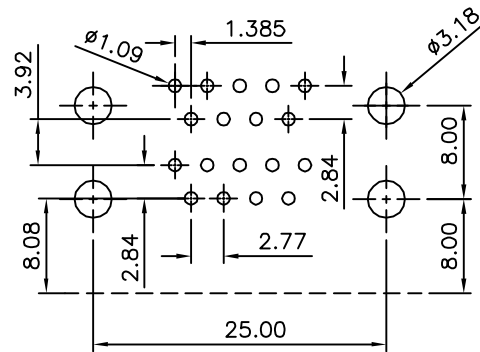
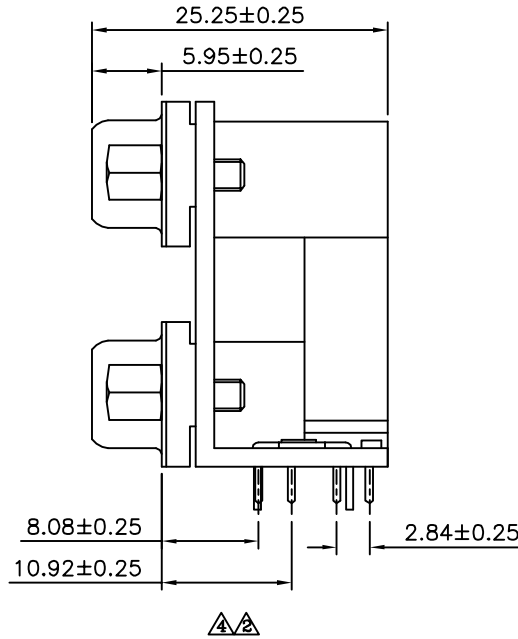
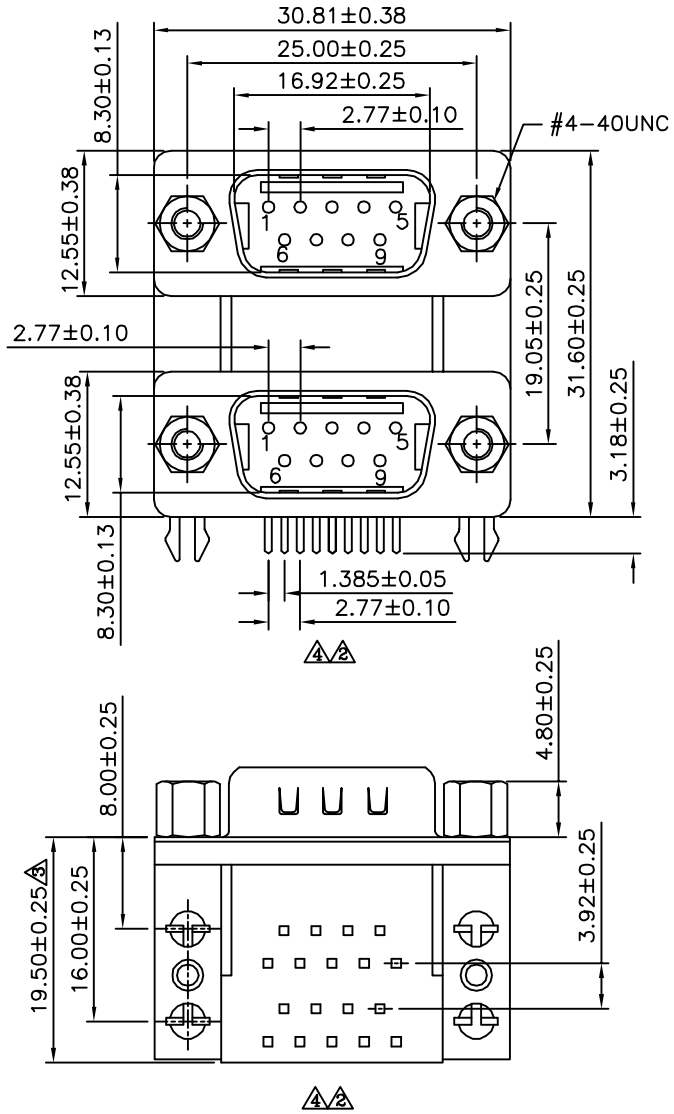
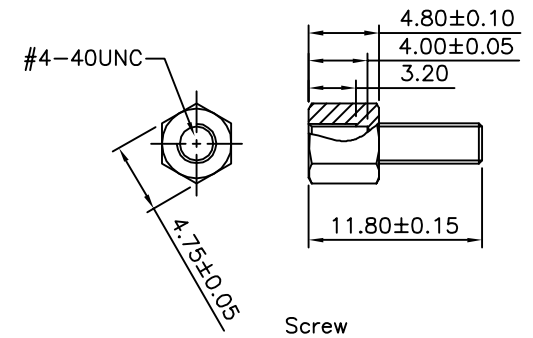


△△△ SPECIFICATION

Current Rating:1 Amps
 Contact Resistance:30 Milliohms Max.
 Insulation Resistance:5000 Megaohms Min.
 Dielectric Withstanding Voltage:1000V AC Minute
 Temperature Range:-55°C~+105°C
 Housing:PBT+30%G.F.(UL94V-0),Black
 Contact:Brass
 Gold Flash On Contact Area,Tin
 Plated On Solder Tails,Over Nickel
 Shell:SPCC,Nickel Plated
 Grounding Bracket:Zinc Alloy,Nickel Plated
 Screw:12L14,Nickel Plated
 Boardlock:Copper Alloy,Tin Plated
 RoHS Compliant



△△△ Recommended P.C.B. Layout



4UCON 元化興業股份有限公司
 4UCON TECHNOLOGY INC.

DRAWING No.		APPROVED BY		UNLESS OTHERWISE SPECIFIED TOLERANCES ARE	
15868		EMILY		.X ±0.25 .X* ±3*	
		CHECKED BY		.XX ±0.15 .XX* ±1*	
		HZF		.XXX ±0.05 .XXX* ±0.5*	
		DRAWING BY		UNIT	
		SONG		mm	
SCALE	NONE	REV.	A4		

NO.	REV.	REVISIONS	CHK	DATE
△ A4		Modify Data	HZF	07/11/2014
△ A3		Modify Dim.	HZF	07/04/2014
△ A2		Modify Data	HZF	03/03/2014
△ A1		Modify Data	HZF	11/29/2011
△ A0		NEW RELEASE	HZF	02/03/2010