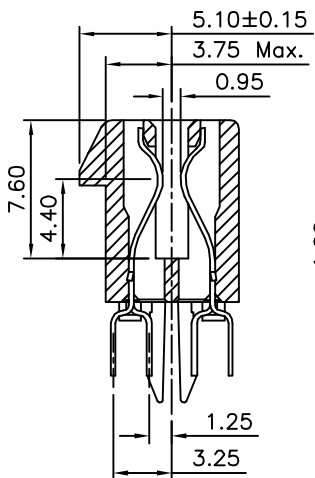
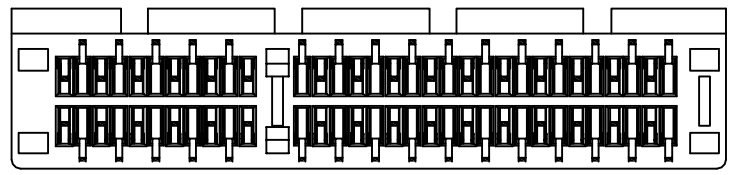
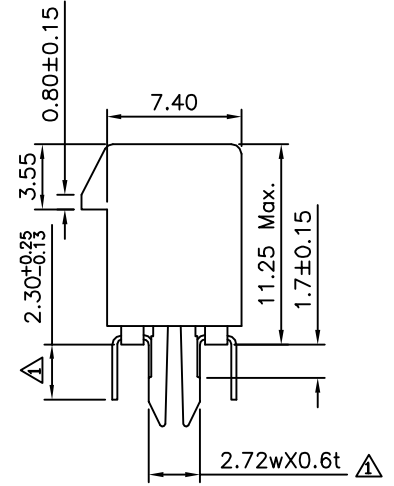
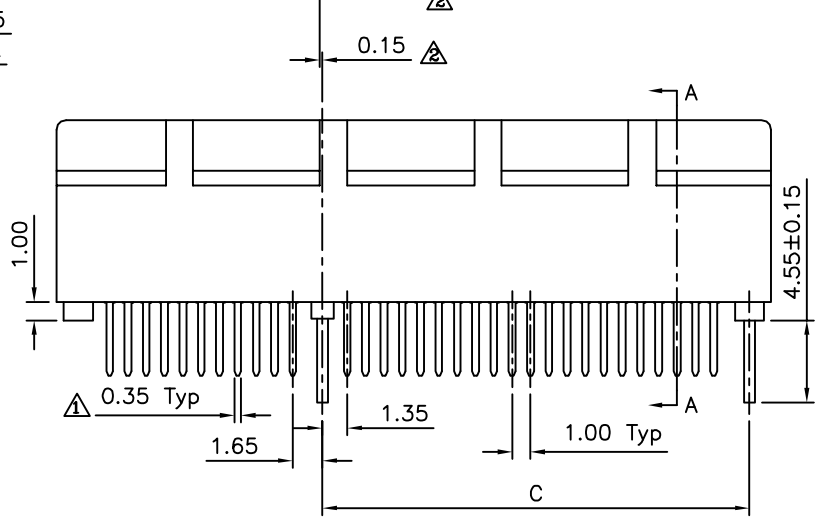


**△ SPECIFICATION**  
 Insulator:PA46(UL94V-0),Black  
 △ Contact:Phosphor Bronze  
 Gold Flash On Contact Area,Tin Plated  
 On Solder Tails,Over Nickel  
 Clip:Copper Alloy,Matte Tin Plated Over Nickel  
 RoHS Compliant



△ Section A-A

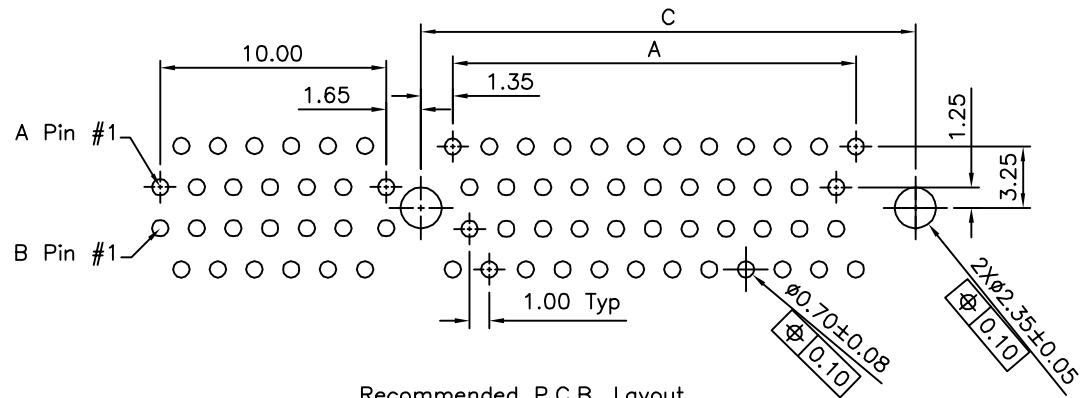
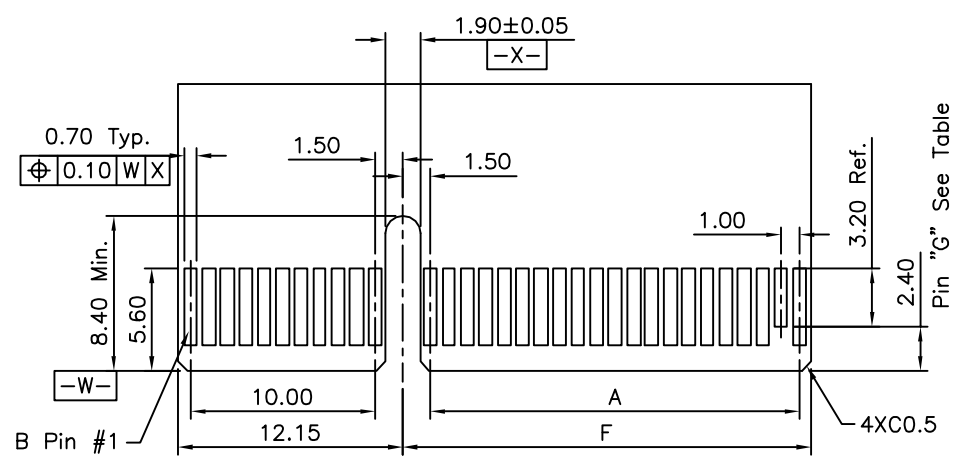


Pin	A±0.10	B <sup>+0.15</sup> <sub>-0.05</sub>	C±0.20	D±0.23
36	6	7.65	9.15	25.00
64	20	21.65	23.15	39.00
98	37	38.65	40.15	56.00
164	70	71.65	73.15	89.00

**4UCON** 元化興業股份有限公司  
 4UCON TECHNOLOGY INC.

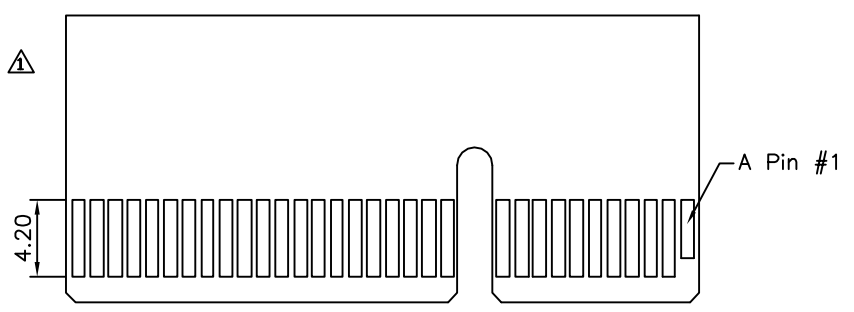
DRAWING No.		APPROVED BY		UNLESS OTHERWISE SPECIFIED TOLERANCES ARE X. ±0.40 .X ±0.30 .XX ±0.20 .XXX ±0.10
15938		EMILY		
		CHECKED BY		
		HZF		
		DRAWING BY		UNIT mm
		SONG		
SCALE	NONE	REV.	A2	

NO.	REV.	REVISIONS	CHK	DATE
△ A2		Modify Data	HZF	10/31/2013
△ A1		Modify Data	HZF	10/12/2009
△ A0		NEW RELEASE	BECKY	09/13/2005

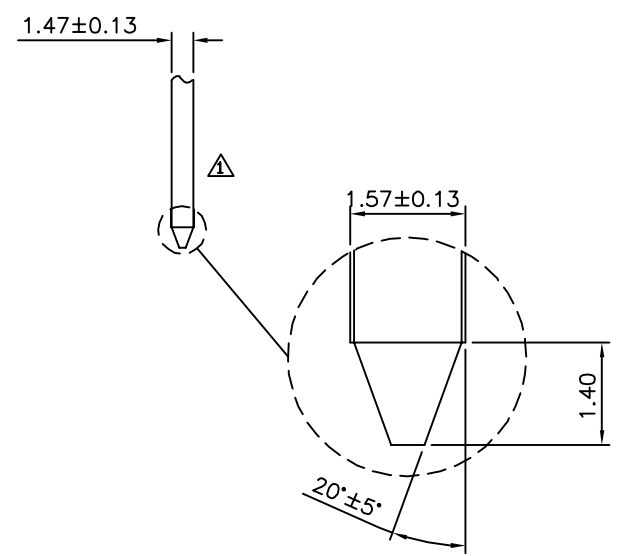


Recommended P.C.B. Layout  
(PCB Board Tolerance±0.05)

△ I/O Panel Direction Primary(Component)Side  
Add-In Card Edge-Finger Dimensions



I/O Panel Direction Primary(Component)Side  
Add-In Card Edge-Finger Dimensions



Pin	F±0.20	G
36	8.15	B Pin#17
64	22.15	B Pin#31
98	39.15	B Pin#48
164	72.15	B Pin#81

**4UCON** 元化興業股份有限公司  
4UCON TECHNOLOGY INC.

DRAWING No.		APPROVED BY		UNLESS OTHERWISE SPECIFIED TOLERANCES ARE X. ±0.40 .X ±0.30 .XX ±0.20 .XXX ±0.10
15938		EMILY		
		CHECKED BY		
		HZF		
		DRAWING BY		UNIT mm
		SONG		
SCALE	NONE	REV.	A2	

NO.	REV.	REVISIONS	CHK	DATE
△A2		Modify Data	HZF	10/31/2013
△A1		Modify Data	HZF	10/12/2009
△A0		NEW RELEASE	BECKY	09/13/2005