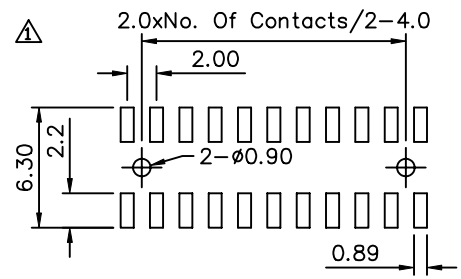
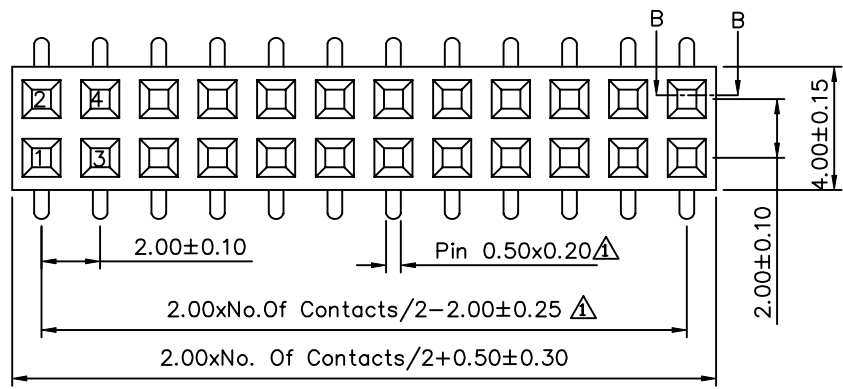
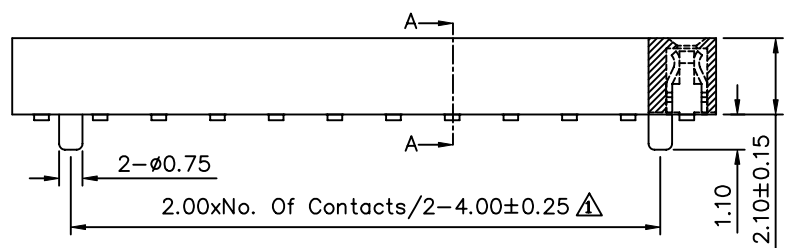


△ SPECIFICATION

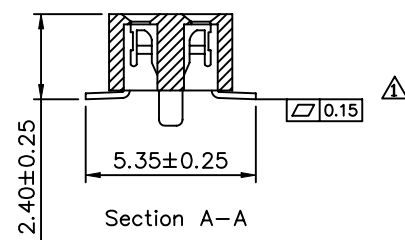
Current Rating: 2.0Amp
 Insulator Resistance: 1000 Megaohms Min.
 Contact Resistance: 20 Milliohms Max.
 Withstand Voltage: 500V AC/DC
 Operating Temperature: -40°C~+105°C
 Contact: Phosphor Bronze, Au Plated Over Ni
 Insulator: PA6T+30%G.F, UL 94V-0
 RoHS Compliant



Recommended P.C.B Layout (Top Side)
 (PCB Board Tolerance ±0.05)



Section B-B



Section A-A

4UCON 元化興業股份有限公司
 4UCON TECHNOLOGY INC.

DRAWING No.		APPROVED BY		UNLESS OTHERWISE SPECIFIED TOLERANCES ARE △.X ±0.40 .XX ±0.25 .XXX ±0.15 ANG. ±3°
15962		MEI		
		CHECKED BY HZF		
		DRAWING BY HYY		
SCALE	NONE	REV.	A1	UNIT mm

NO.	REV.	REVISIONS	CHK	DATE
△ A1		Modify Data	HZF	02/20/2009
△ A0		NEW RELEASE	BECKY	12/01/2004