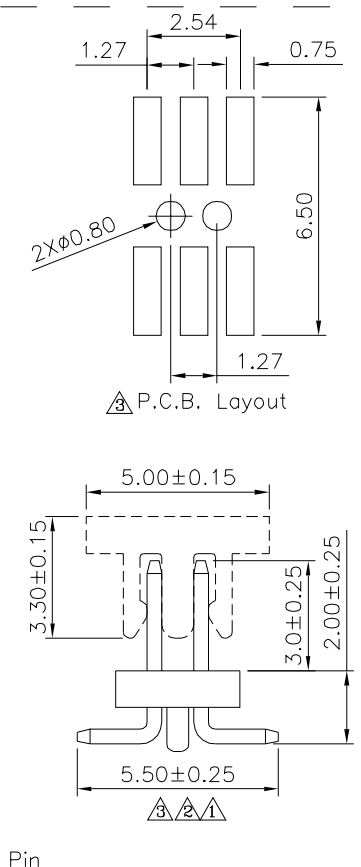
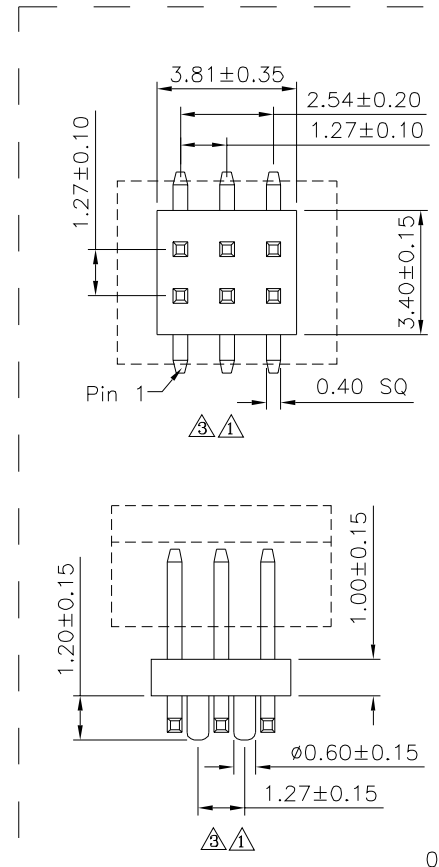
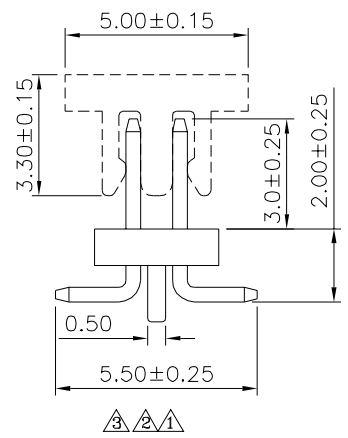
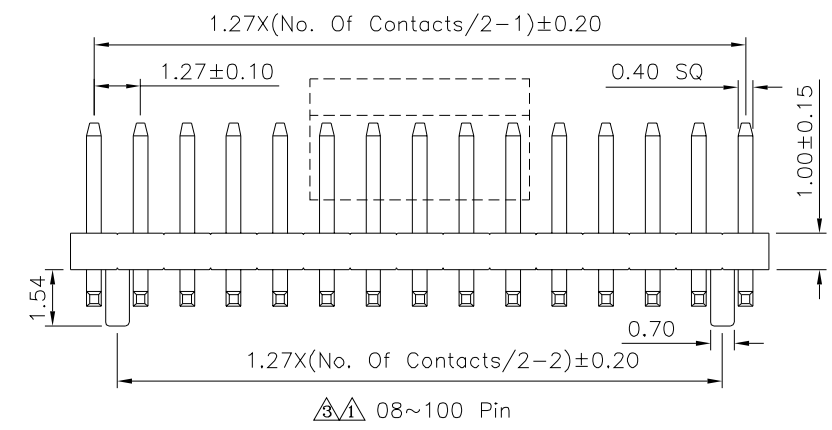
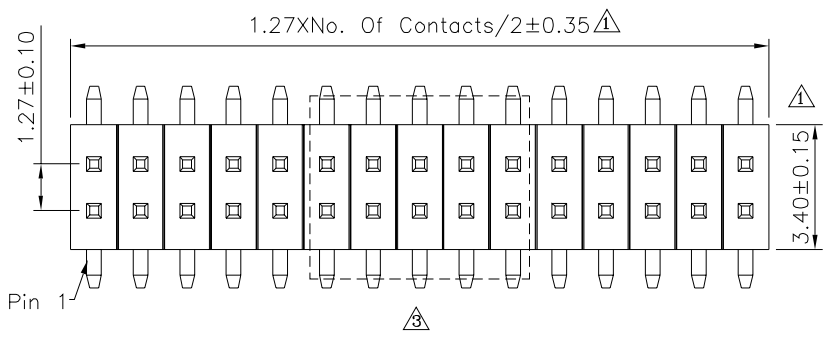
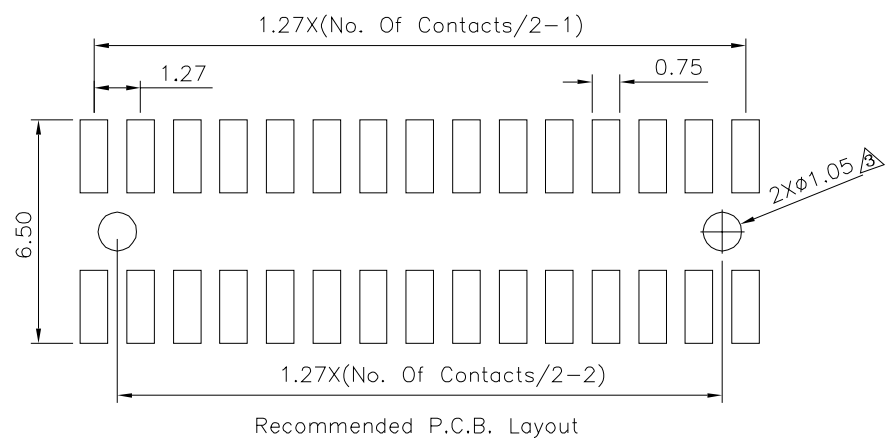


**△△△ SPECIFICATION**  
 Current Rating:1A  
 Voltage Rating:100V AC  
 Withstand Voltage:500V AC/Minute  
 Contact Resistance:20 Milliohms Max.  
 Insulation Resistance:1000 Megaohms Min.  
 Operation Temperature:-40°C~+105°C  
 Insulator:PA6T(UL94V-0),Black  
 Contact:Brass,Gold Flash Over Nickel  
 No. Of Contacts:06~100 Contacts  
 RoHS Compliant



**4UCON** 元化興業股份有限公司  
 4UCON TECHNOLOGY INC.

DRAWING No. △		APPROVED BY	
16893		MEI	
		CHECKED BY	
		HZF	
		DRAWING BY	
		CYP	
SCALE	NONE	REV.	A3

UNLESS OTHERWISE SPECIFIED TOLERANCES ARE △			
.X	±0.38		
.XX	±0.25		
.XXX	±0.05		
UNIT	mm		
NO.	REV.	REVISIONS	DATE
△	A3	Modify Data	HZF 09/06/2024
△	A2	Modify Data	HZF 09/22/2016
△	A1	Modify Data	HZF 07/29/2011
△	A0	NEW RELEASE	HZF 12/02/2008