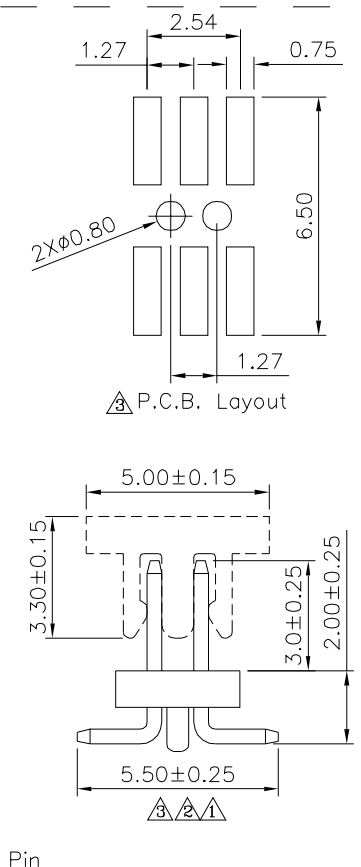
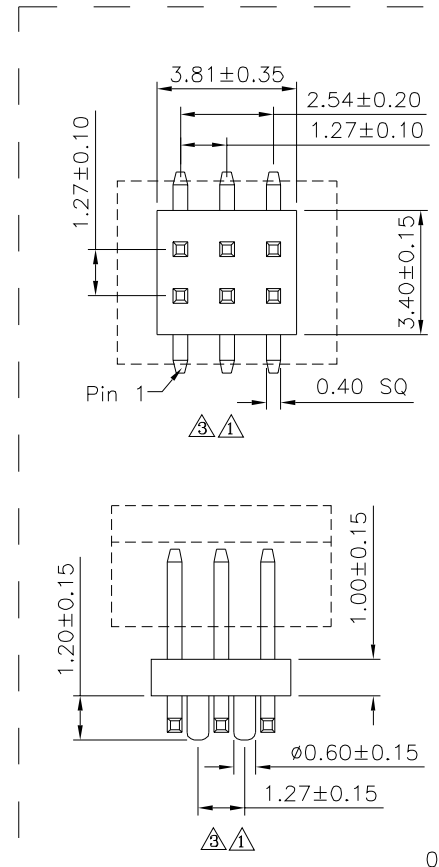
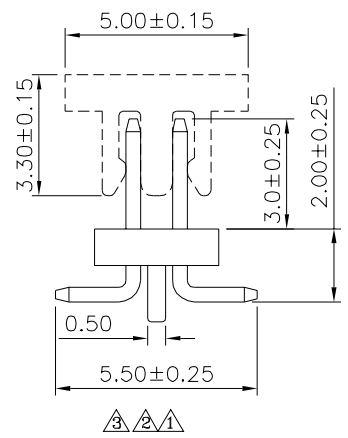
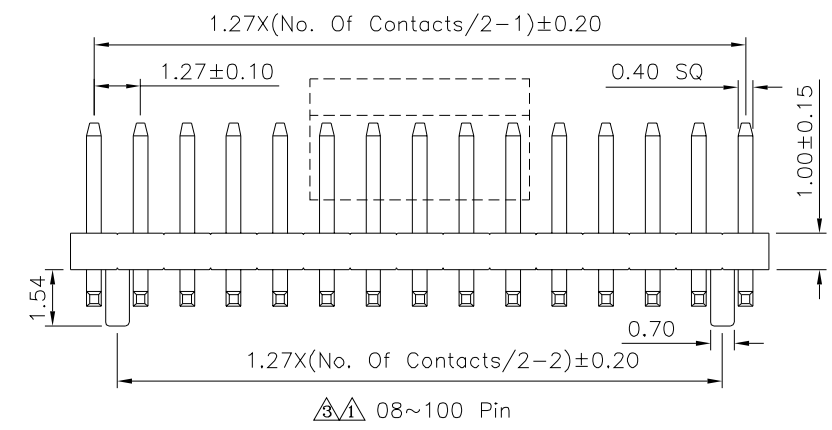
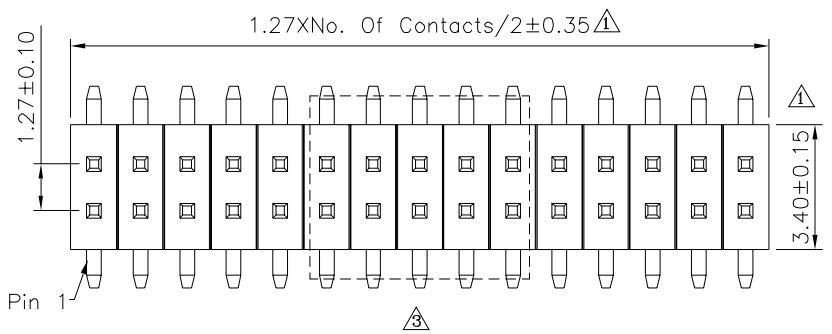
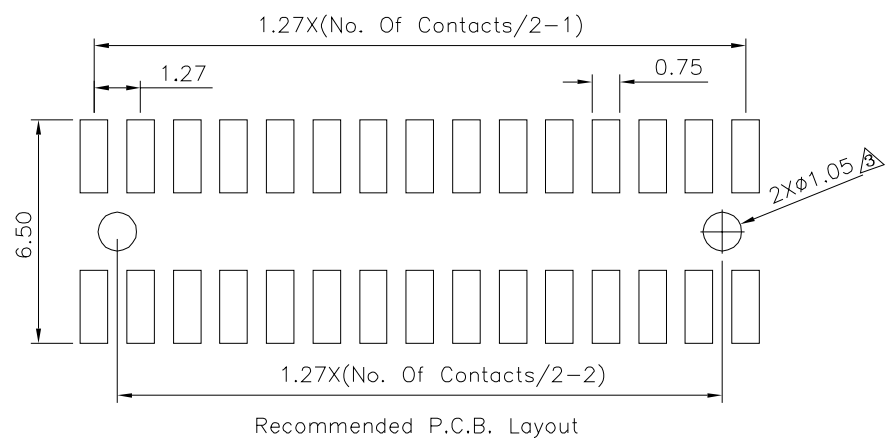


△△△ SPECIFICATION
 Current Rating:1A
 Voltage Rating:100V AC
 Withstand Voltage:500V AC/Minute
 Contact Resistance:20 Milliohms Max.
 Insulation Resistance:1000 Megaohms Min.
 Operation Temperature:-40°C~+105°C
 Insulator:PA6T(UL94V-0),Black
 Contact:Brass,Gold Flash Over Nickel
 No. Of Contacts:06~100 Contacts
 RoHS Compliant



4UCON 元化興業股份有限公司
 4UCON TECHNOLOGY INC.

| | | | |
|---------------|------|-------------|----|
| DRAWING No. △ | | APPROVED BY | |
| 16895 | | MEI | |
| | | CHECKED BY | |
| | | HZF | |
| | | DRAWING BY | |
| | | CYP | |
| SCALE | NONE | REV. | A3 |

| | | | | | | |
|---|-----------|---|-----|-------------|-----|------------|
| UNLESS OTHERWISE SPECIFIED TOLERANCES ARE △ | | | | | | |
| .X | ±0.38 | △ | A3 | Modify Data | HZF | 09/06/2024 |
| .XX | ±0.25 | △ | A2 | Modify Data | HZF | 09/22/2016 |
| .XXX | ±0.05 | △ | A1 | Modify Data | HZF | 07/29/2011 |
| | | △ | A0 | NEW RELEASE | HZF | 12/02/2008 |
| NO. REV. | REVISIONS | | CHK | DATE | | |