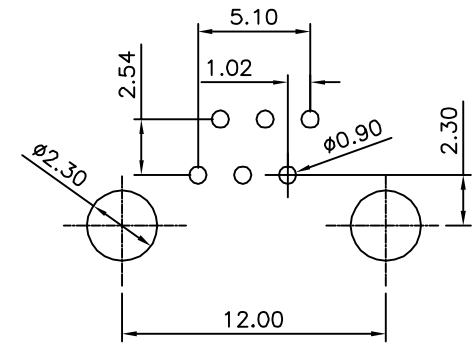
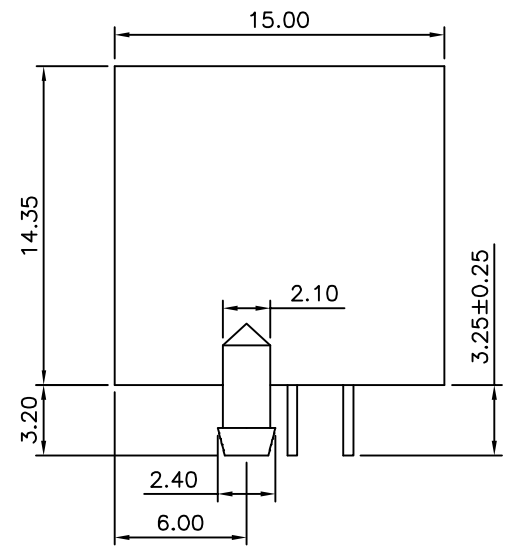
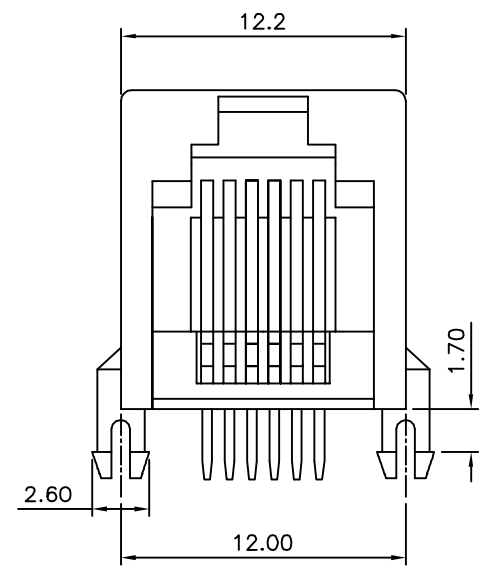
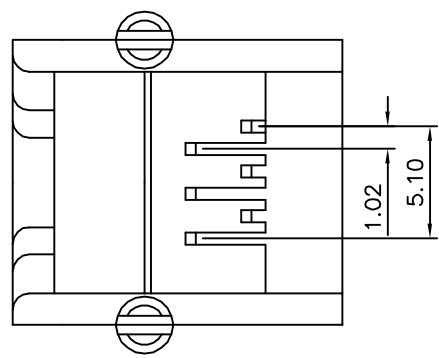


**SPECIFICATIONS**  
 Housing: DSM Stanyl TE250F6 (Nylon-46)  
 Heat Deflection Temp 290°  
 Black Conlor UL94V-0  
 Contacts: 0.45mm Dia Round Phos-Bronze  
 Gold Plated 6u"  
 Cavity Confirms To FCC Rules And Regulations  
 Part 68 Subpart F  
 RoHS Compliant



PC Board Layout



**4UCON** 元化興業股份有限公司  
 4UCON TECHNOLOGY INC.

DRAWING No.		APPROVED BY		UNLESS OTHERWISE SPECIFIED TOLERANCES ARE .X ±0.25 .XX ±0.13 .XXX ±0.05 ANG. ±0°30'
17156		MEI		
		CHECKED BY HZF		
		DRAWING BY PEGA		
SCALE	NONE	REV.	A0	UNIT mm

NO.	REV.	REVISIONS	CHK	DATE
△ A0		NEW RELEASE	HZF	02/22/2008