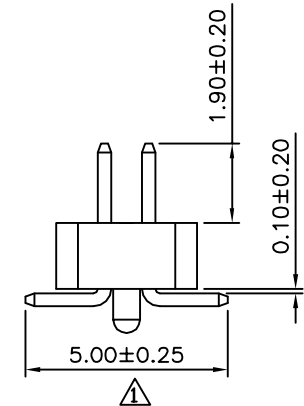
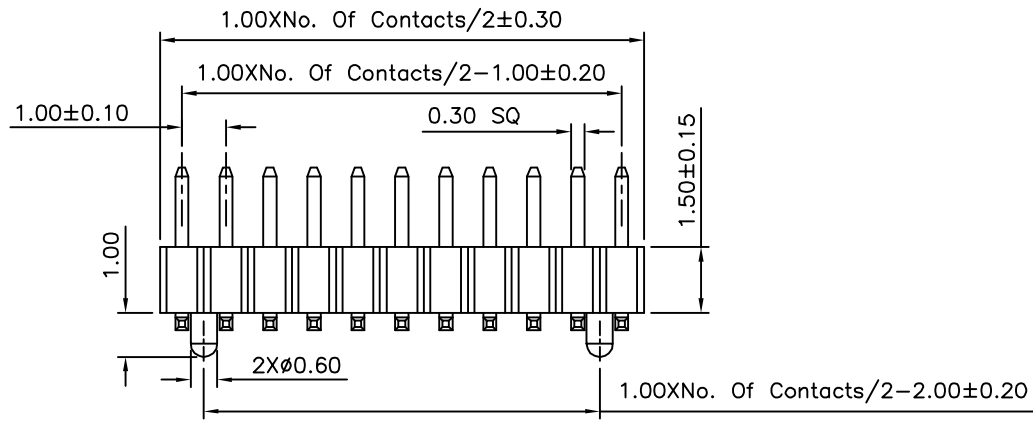
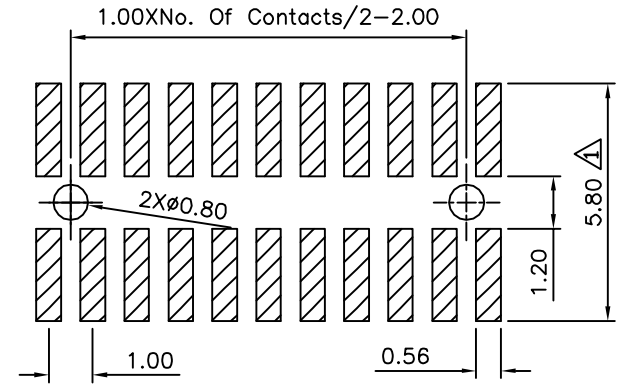
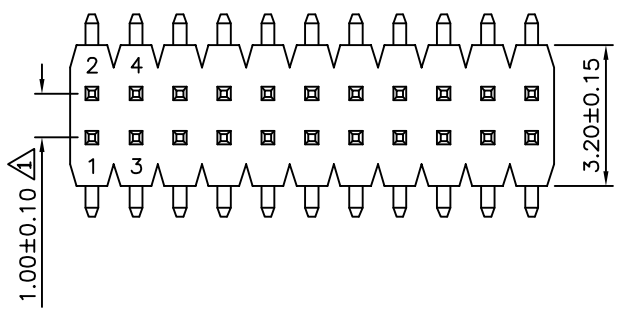


SPECIFICATION

Current Rating: 0.75 Amp
 Withstand Voltage: 500V AC/DC
 Contact Resistance: 30 Milliohms Max.
 Insulation Resistance: 1000 Megaohms Min.
 Operation Temperature: -40°C~+105°C
 ⚠ Insulator: PA9T+30%G.F.(UL94V-0),Black
 Contact: Brass,Gold Plated Over Nickel
 RoHS Compliant



4UCON 元化興業股份有限公司
 4UCON TECHNOLOGY INC.

DRAWING No.		APPROVED BY		UNLESS OTHERWISE SPECIFIED TOLERANCES ARE .X ±0.40 .XX ±0.25 .XXX ±0.15 ANG. ±3°
17238		EMILY		
		CHECKED BY		
		HZF		
		DRAWING BY		UNIT mm
		SONG		
SCALE	NONE	REV.	A2	

NO.	REV.	REVISIONS	CHK	DATE
⚠ A2		Modify Spec.	HZF	11/22/2012
⚠ A1		Modify Data	HZF	05/04/2012
⚠ A0		NEW RELEASE	HZF	06/09/2010