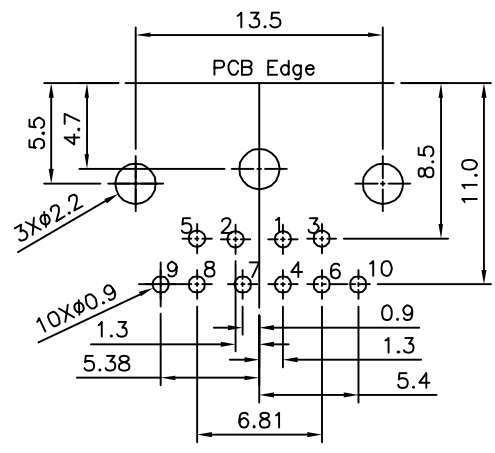
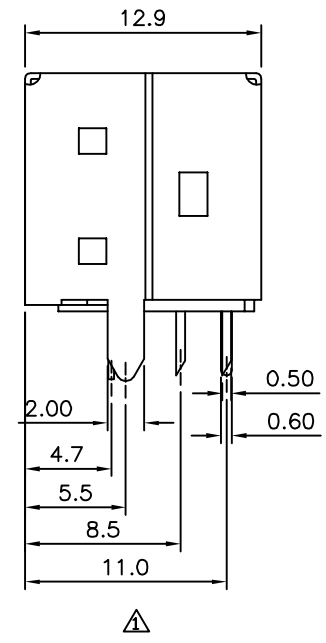
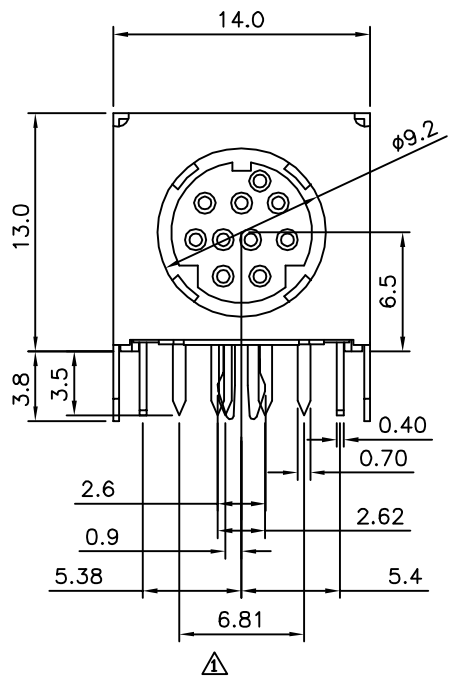
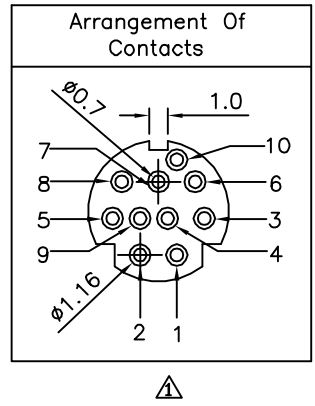
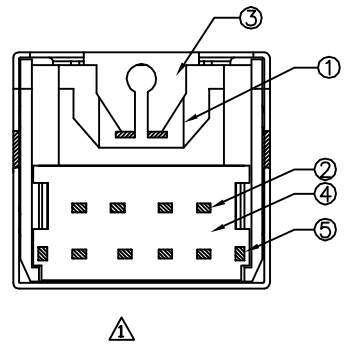


△SPECIFICATION

Contact Resistance:30 Milliohms Max.
 Insulation Resistance:100 Megaohms Min. At 500V DC
 Rated Voltage And Current:DC 12V 2A Max.
 AC 100V 1A Max.
 Dielectric Withstanding Voltage:250V AC For 1 Minute
 Durability:100 Cycles
 Insertion Force:4.0KG Max.
 Extraction Force:0.9KG Min.
 RoHS Compliant



△ Recommended P.C.B. Layout Bottom View



No.	Description	Q'ty	Material	Remark
①	Housing	1	PBT+G.F.	Black
②	Contact	8	Phosphor Bronze	Gold Flash On Conatct Area,Tin Plated On Solder Tails,Over Nickel
③	Shield	1	Brass	Tin Plated
④	Bottom Cover	1	PBT+G.F.	Black
⑤	Harpoon	2	Brass	Gold Flash On Conatct Area,Tin Plated On Solder Tails,Over Nickel

4UCON 元化興業股份有限公司
 4UCON TECHNOLOGY INC.

DRAWING No. 17403

APPROVED BY EMILY
 CHECKED BY HZF
 DRAWING BY HAO

UNLESS OTHERWISE SPECIFIED TOLERANCES ARE
 X ±0.38
 △ X ±0.25
 XX ±0.13
 .XXX ±0.05

SCALE NONE REV. A1 UNIT mm

NO.	REV.	REVISIONS	CHK	DATE
△ A1		Modify Data	HZF	03/09/2015
△ A0		NEW RELEASE	BECKY	2004/08/20