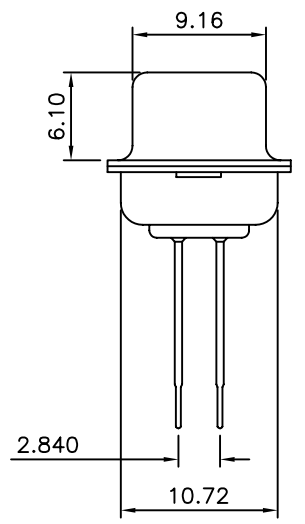
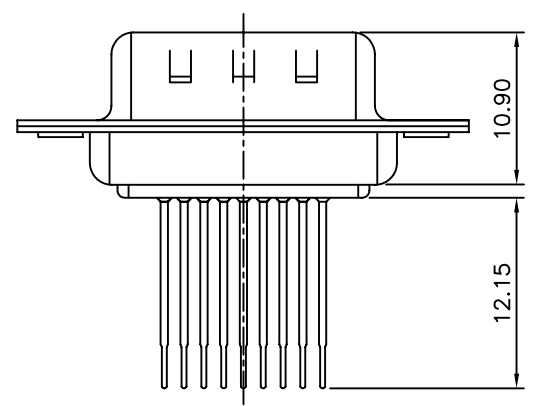
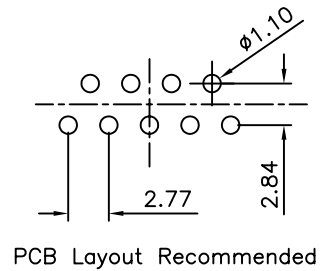
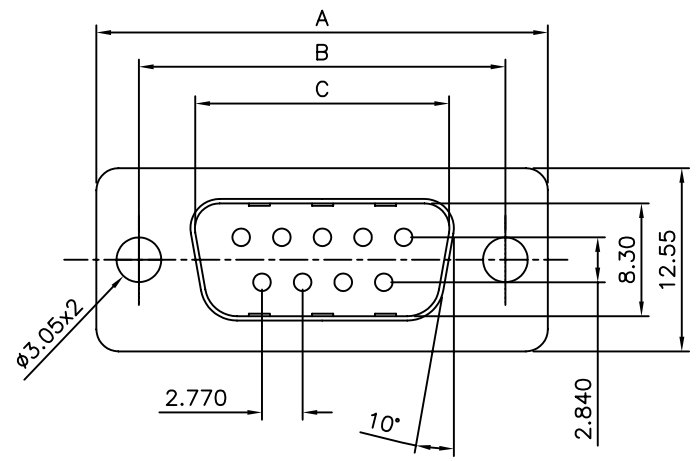


SPECIFICATIONS

Current Rating: 7.5 Amp
 Withstanding Voltage: AC 500V For 1 Minute
 Insulation Resistance: 500 Megohms Min. At DC 500V
 Contact Resistance: 15 Milliohms Max. At DC100mA
 Operating Temperature: -25°C To +85°C
 Insulator: P.B.T+30% Glass Fiber (UL94-V0)
 Contact: Brass C2680
 Gold Flash
 Shell: Stell, The Front Shell Nickel
 Front Shell: Nickel Plated
 Back Shell: Tin Plated



Pin	Dim A	Dim B	Dim C
9	30.89	24.99	16.92
15	39.10	33.32	25.25
25	53.09	47.04	38.96
37	69.40	63.50	55.42

4UCON 元化興業股份有限公司
 4UCON TECHNOLOGY INC.

DRAWING No. 17580

APPROVED BY MEI
 CHECKED BY SHIN
 DRAWING BY HZF

UNLESS OTHERWISE SPECIFIED TOLERANCES ARE
 .X ±0.38
 .XX ±0.25
 .XXX ±0.05
 ANG ±2°

SCALE NONE

REV. A0

UNIT mm

NO.	REV.	REVISIONS	CHK	DATE
△ A0		NEW RELEASE	SHIN	03/01/2006