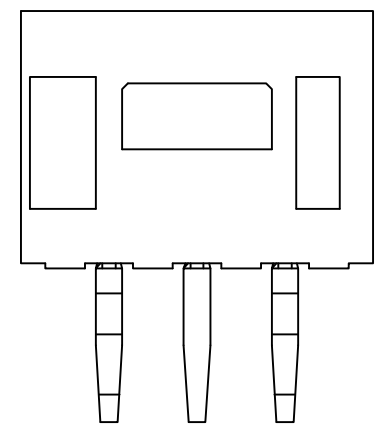
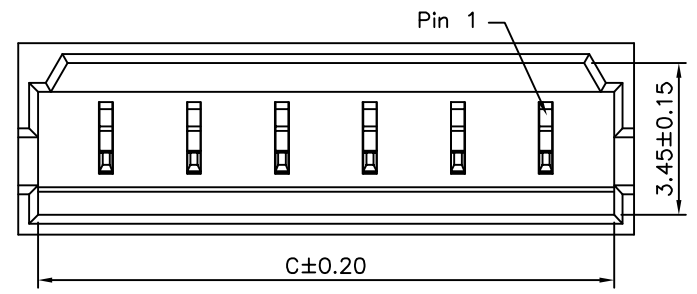
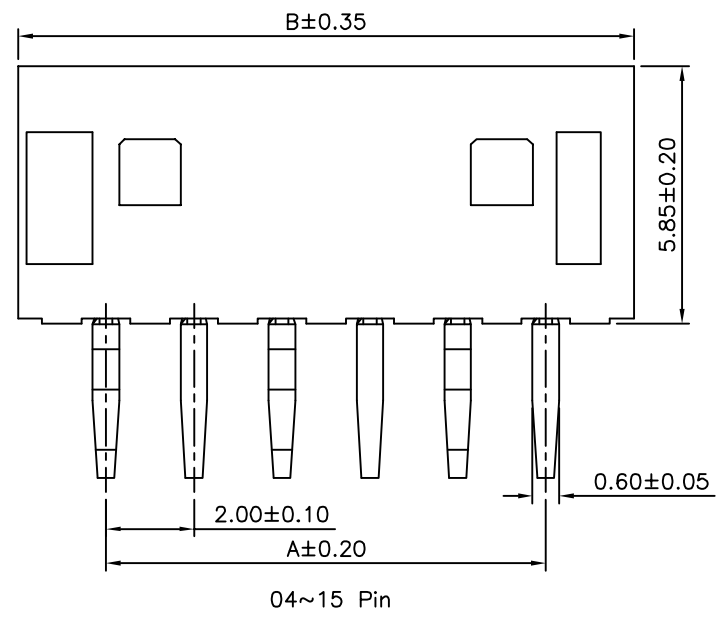


Recommended P.C.B. Layout

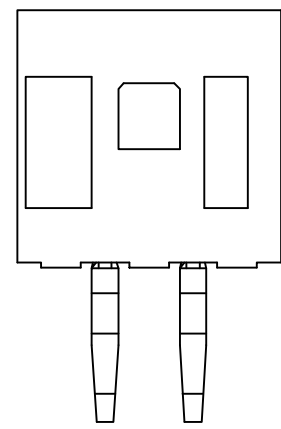
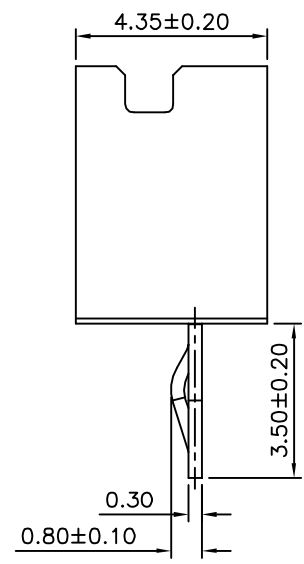
SPECIFICATION
 Current Rating: 2A AC,DC
 Voltage Rating: 125V AC,DC
 Withstanding Voltage: 800V AC/Minute
 Insulation Resistance: 1000 Megohms Min.
 Contact Resistance: 10 Milliohms Max.
 Operation Temperature: -25°C ~ +85°C
 Insulator: PA66(UL94V-0)
 Contact: Brass, Tin Plated
 RoHS Compliant



03 Pin



04~15 Pin



02 Pin

Pin	A	B	C
02	2.00	6.00	5.10
03	4.00	8.00	7.10
04	6.00	10.00	9.10
05	8.00	12.00	11.10
06	10.00	14.00	13.10
07	12.00	16.00	15.10
08	14.00	18.00	17.10
09	16.00	20.00	19.10
10	18.00	22.00	21.10
11	20.00	24.00	23.10
12	22.00	26.00	25.10
13	24.00	28.00	27.10
14	26.00	30.00	29.10
15	28.00	32.00	31.10

4UCON 元化興業股份有限公司
 4UCON TECHNOLOGY INC.

DRAWING No.		APPROVED BY		UNLESS OTHERWISE SPECIFIED TOLERANCES ARE X. ±0.30 .X ±0.25 .XX ±0.20 .XXX ±0.015
17742		EMILY		
		CHECKED BY		
		HZF		
		DRAWING BY		
		SONG		
SCALE	NONE	REV.	A0	UNIT mm

NO.	REV.	REVISIONS	CHK	DATE
△ A0		NEW RELEASE	HZF	03/05/2014