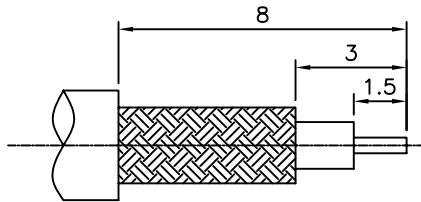
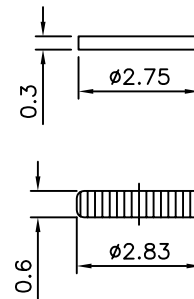
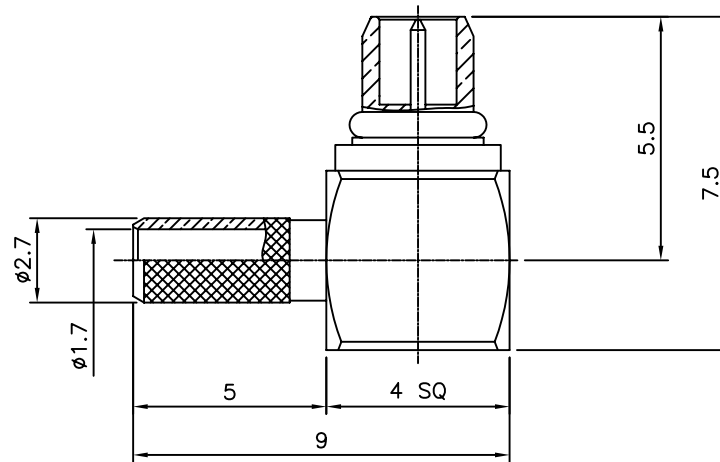
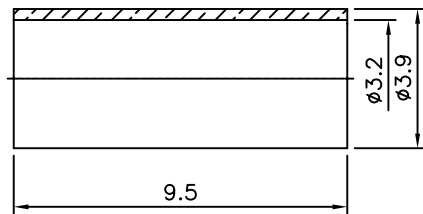


**SPECIFICATIONS**

Crimped Ferrule  
Hex Crimp Size 128"  
Contact Pin To Solder



Recommended Cable Stripping Dim's



- Notes: Finish (Plating Thickness In Micro-Inches)
- 1.Brass PER QQ-B-626
  - 2.Gold PL 3 Min Over Nickel PL 70 Min Thick Over Copper Strike
  - 3.Gold PL 30 Min Over Nickel PL 70 Min Thick Over Copper Strike
  - 4.Teflon MIL-P-19468
  - 5.Beryllium Copper PER QQ-C-530
  - 6.Brass JIS H 3250 C 2700

Description	Material	Finish
Ferrule	Note 6	Note 2
Cover	Note 1	Note 2
Insulator	Note 4	White
C Ring	Note 5	Note 2
Contact Pin	Note 1	Note 3
Insulator	Note 4	White
Body	Note 1	Note 2

**4UCON** 元化興業股份有限公司  
4UCON TECHNOLOGY INC.

DRAWING No. 17800

APPROVED BY MEI  
CHECKED BY HZF  
DRAWING BY PEGA

UNLESS OTHERWISE SPECIFIED TOLERANCES ARE  
0.5~6 ±0.2  
>6~30 ±0.4  
>30~120 ±0.6  
>120~315 ±1  
>315~1000 ±1.6  
ANG ±5°

SCALE NONE REV. A0

UNIT mm

NO. REV. A0 NEW RELEASE HZF 04/25/2006  
REVISIONS CHK DATE