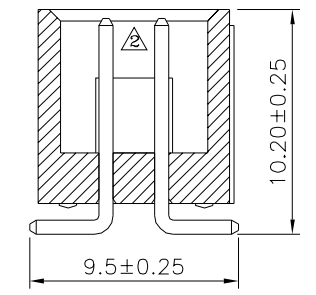
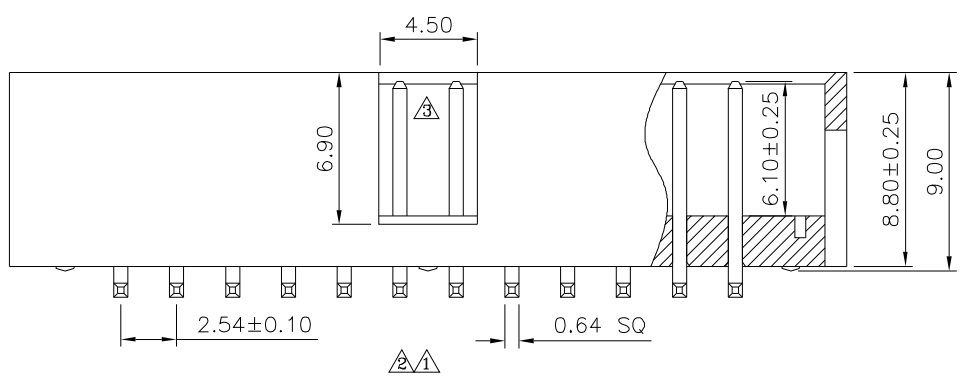
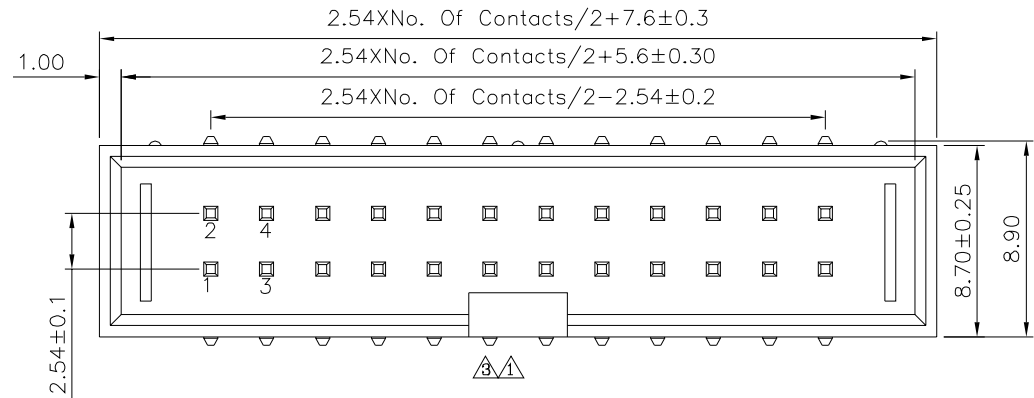


Recommended P.C.B. Layout  
PCB Tolerance: ±0.05 (Top View)



**△ SPECIFICATION**  
 Current Rating: 3 Amps  
 Withstand Voltage: 1000V AC  
 Contact Resistance: 20 Milliohms Max.  
 Insulation Resistance: 1000 Megaohms Min.  
 Operation Temperature: -40°C ~ +105°C  
 Insulator: PA6T(UL94V-0), Black  
 Contact: Brass, Gold Flash Over Nickel  
 RoHS Compliant

**4UCON** 元化興業股份有限公司  
4UCON TECHNOLOGY INC.

DRAWING No.		APPROVED BY		UNLESS OTHERWISE SPECIFIED TOLERANCES ARE X. ±0.25 X.* ±2° .X ±0.20 △.X* ±1.5° .XX ±0.15 .XX* ±1° .XXX ±0.10 .XXX* ±0.5° UNIT mm		NO. REV.	REVISIONS	CHK	DATE
18155		EMILY							
SCALE NONE		CHECKED BY HZF							
REV. A3		DRAWING BY CYP							

△ A3	Modify Data	HZF	04/17/2015
△ A2	Modify Data	HZF	02/04/2015
△ A1	Modify Data	HZF	01/22/2015
△ A0	NEW RELEASE	HZF	12/20/2010