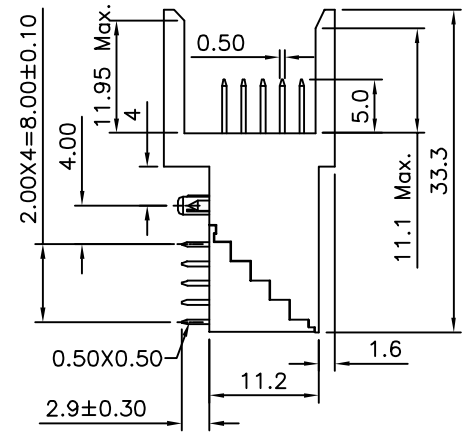
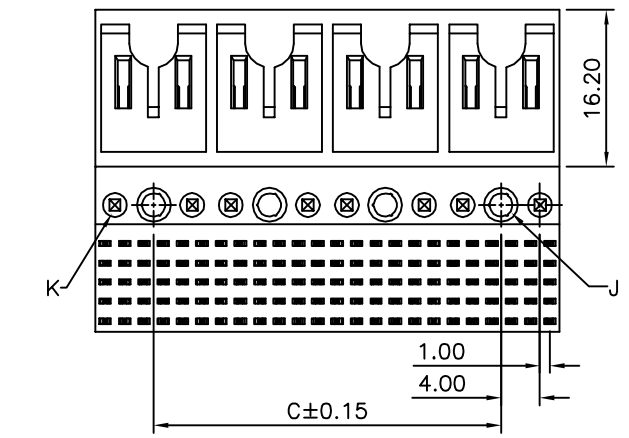
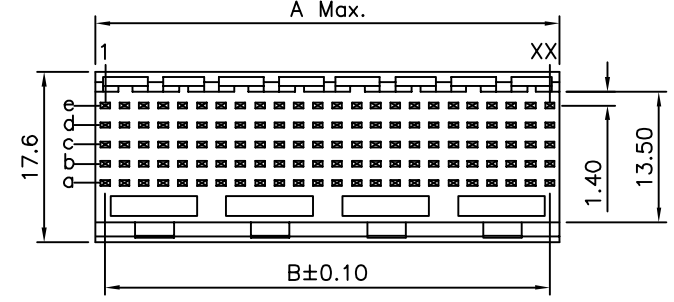
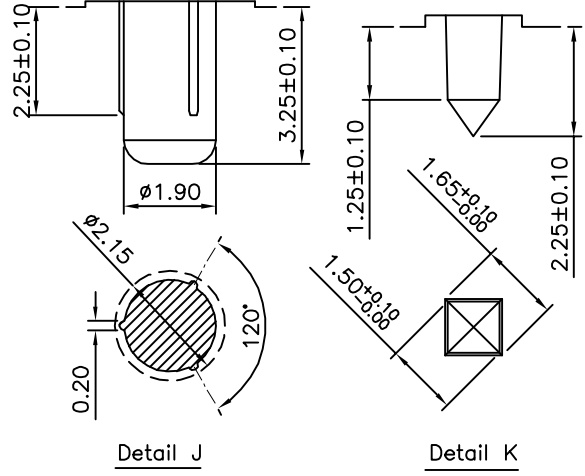


**SPECIFICATION**  
 Current Rating:1 Amp  
 Dielectric Withstanding Voltage:1000V AC For 1 Minute  
 Insulation Resistance:1000 Megaohms Min. At 500V DC  
 Contact Resistance:30 Milliohms Max. At 100mA DC  
 Operation Temperature:-65°C~+125°C  
 Housing:LCP(UL94V-0)  
 Contact:Brass  
 Gold Plated 10u" On Contact Area  
 Tin Plated On Solder Tails,Over Nickel  
 RoHS Compliant



Pin	A	B	C
30	11.95	10	
60	23.95	22	12
90	35.95	34	24
120	47.95	46	36
150	59.95	58	48
180	71.95	70	60
210	83.95	82	72
240	95.95	94	84

**4UCON** 元化興業股份有限公司  
 4UCON TECHNOLOGY INC.

DRAWING No.		APPROVED BY		UNLESS OTHERWISE SPECIFIED TOLERANCES ARE
18220		EMILY		
		CHECKED BY		
		HZF		X. ±0.5 .X ±0.25 .XX ±0.15
		DRAWING BY		
		YBL		
SCALE	NONE	REV.	A1	UNIT
				mm

NO.	REV.	REVISIONS	CHK	DATE
△A1		Modify Data	HZF	10/21/2013
△A0		NEW RELEASE	HZF	01/02/2009