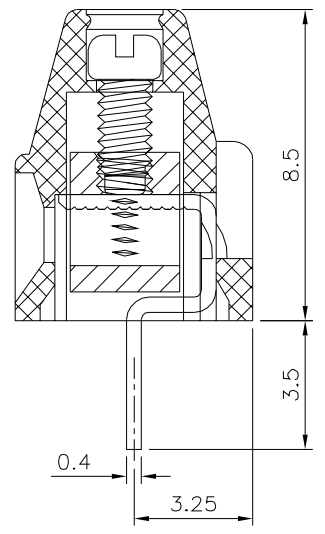
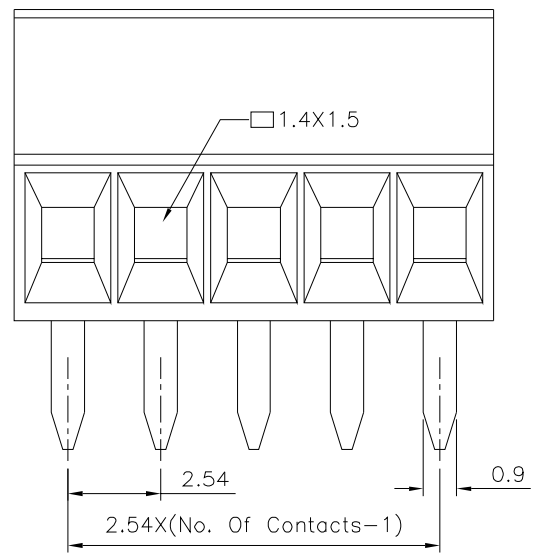


△ SPECIFICATION

Voltage Rating:150V AC
 Current Rating:6A/Way Max.
 Contact Resistance:20 Milliohms Max.
 Withstanding Voltage:2000V AC For 1 Minute
 Test Time=60s/1 PCS
 Wire Range:18~30 AWG
 Torque:1.5 Kgf.cm/M1.6
 Operation Temperature:-40°C~+105°C
 Soldering Reliability:
 Test Temperature=250°C±10°C/5s Max.
 Contact:Copper Alloy,Nickel Plated
 Terminal Screw:Steel,Galvanized With Cr3+ Plated
 Solder Pin:Copper Alloy,Tin Plated
 Insulator Body(Housing):Polyamide(UL94V-0),Green
 RoHS Compliant



4UCON 元化興業股份有限公司
 4UCON TECHNOLOGY INC.

DRAWING No. △
 18477

APPROVED BY EMILY
 CHECKED BY HZF
 DRAWING BY SAN

SCALE NONE REV. A3

UNLESS OTHERWISE SPECIFIED TOLERANCES ARE
 X. ±0.50
 .X ±0.30
 .XX ±0.20
 ANG. ±1°

UNIT mm

| NO. | REV. | REVISIONS | CHK | DATE |
|-----|------|-------------|-----|------------|
| △3 | A3 | Modify Data | HZF | 03/21/2014 |
| △2 | A2 | Modify Data | HZF | 09/14/2013 |
| △1 | A1 | Modify Data | HZF | 07/22/2013 |
| △0 | A0 | NEW RELEASE | HZF | 07/26/2009 |