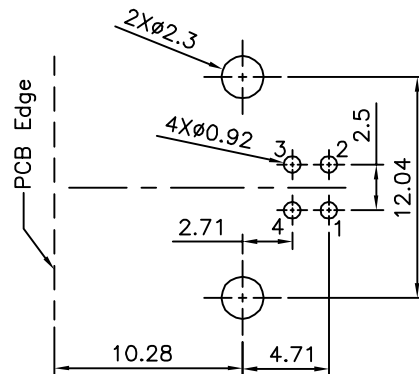
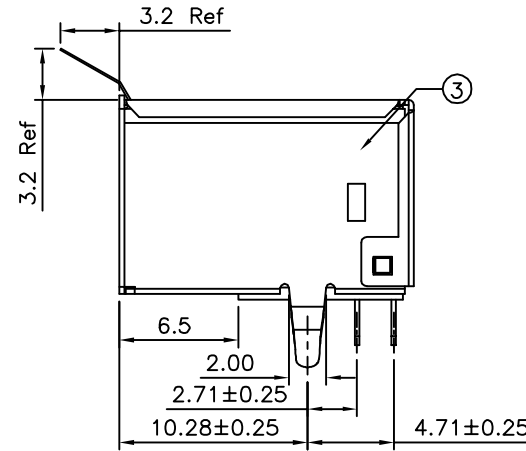
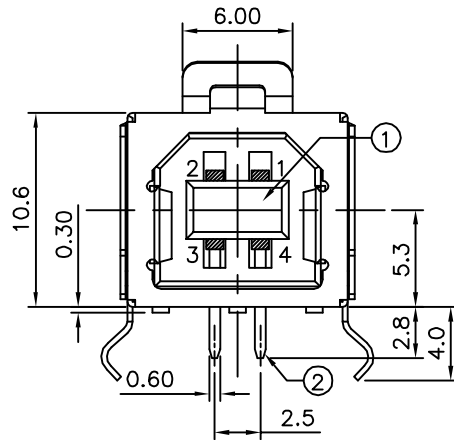
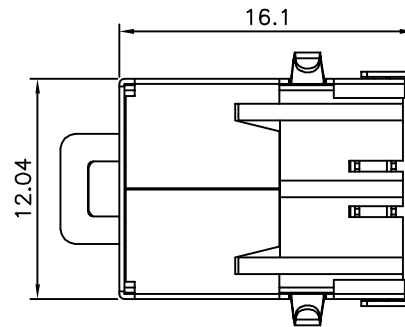


SPECIFICATION

Rated Voltage And Current:1.5A At 250V AC Min.
 Dielectric Withstanding Voltage:750V AC RMS
 For 1 Minute(Rev 1.1)
 Contact Resistance:30 Milliohms Max.
 Insulation Resistance:1000 Megaohms Min.
 At 500V DC
 Durability(Life Test):1500 Cycles
 Insertion Force:35N Max.
 Extraction Force:10N Min.
 RoHS Compliant



Recommended P.C.B. Layout(Component Side)



| | | | | |
|-----|---------------|------|-----------------|---|
| ④ | Spring Shield | 1 | Stainless | |
| ③ | Shell | 1 | Brass | Nickel Plated |
| ② | Terminal | 4 | Phosphor Bronze | Gold Flash On Contact Area,Tin Plated On Solder Tails,Over Nickel |
| ① | Housing | 1 | PBT+G.F. | White |
| No. | Description | Q'ty | Material | Remark |

4UCON 元化興業股份有限公司
 4UCON TECHNOLOGY INC.

DRAWING No.

18479

APPROVED BY

EMILY

CHECKED BY

HZF

DRAWING BY

GAO

UNLESS OTHERWISE SPECIFIED

TOLERANCES ARE
 X. ±0.38
 .X ±0.25
 .XX ±0.13
 .XXX ±0.05

SCALE

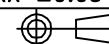
NONE

REV.

A0

UNIT

mm



NO. REV.

A0 NEW RELEASE

REVISIONS

CHK

09/14/2012
 DATE