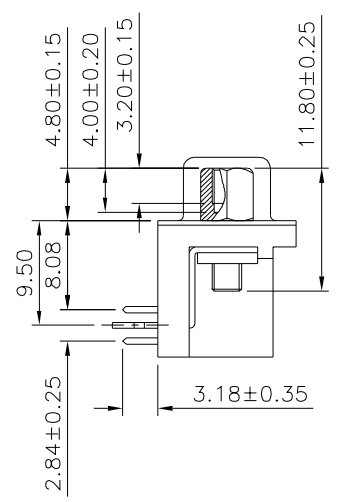
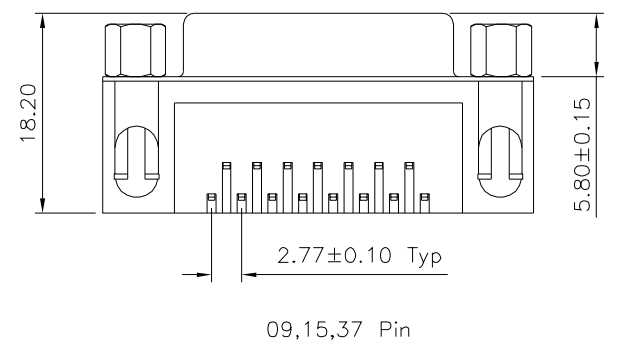
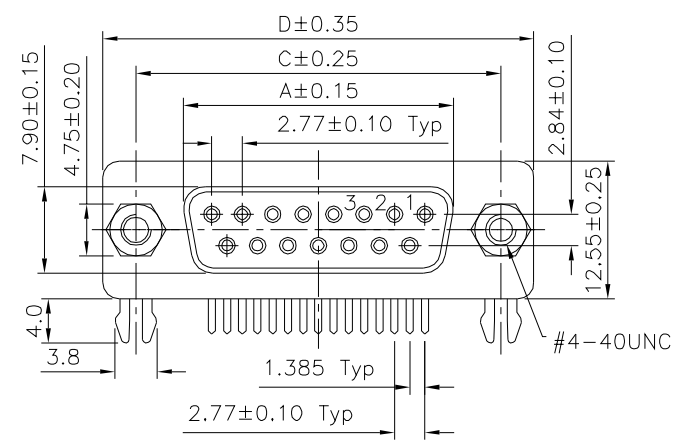
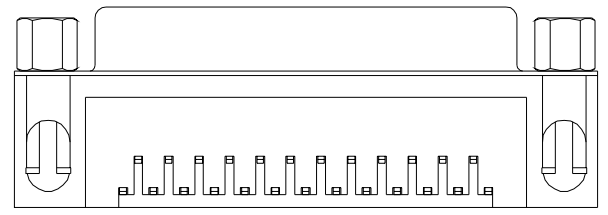
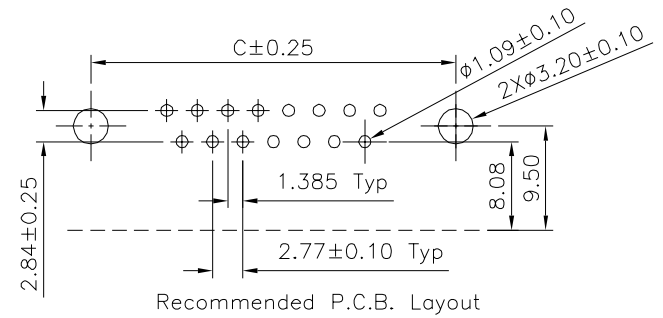


SPECIFICATION
 Current Rating:1 Amps
 Withstanding Voltage:1000V(One Minute)
 Contact Resistance:20 Milliohms Max.
 Insulation Resistance:1000 Megaohms Min.
 At 500V DC
 Operating Temperature:-50°C~+105°C
 Insulator:PBT+30%G.F.(UL94V-0),Black
 Shell:SPCC,Nickel Plated
 Contact:Brass
 Gold Flash On Contact Area
 Tin Plated On Solder Tails,Over Nickel
 Boardlock:SPCC,Tin Plated
 Screw:12L14,Nickel Plated
 Rivet:Copper Alloy,Nickel Plated
 RoHS Compliant



Pin	A	C	D
09	16.33	24.99	30.81
15	24.80	33.32	39.20
25	38.38	47.04	53.04
37	54.84	63.50	69.40

4UCON 元化興業股份有限公司
 4UCON TECHNOLOGY INC.

DRAWING No.		APPROVED BY		UNLESS OTHERWISE SPECIFIED TOLERANCES ARE .X ±0.38 .X* ±3* .XX ±0.25 .XX* ±1* .XXX ±0.05 .XXX* ±0.5*
18506		MEI		
		CHECKED BY	HZF	
		DRAWING BY	CYP	
SCALE	NONE	REV.	BO	UNIT mm

△ BO	NEW RELEASE	HZF	05/15/2015
NO. REV.	REVISIONS	CHK	DATE