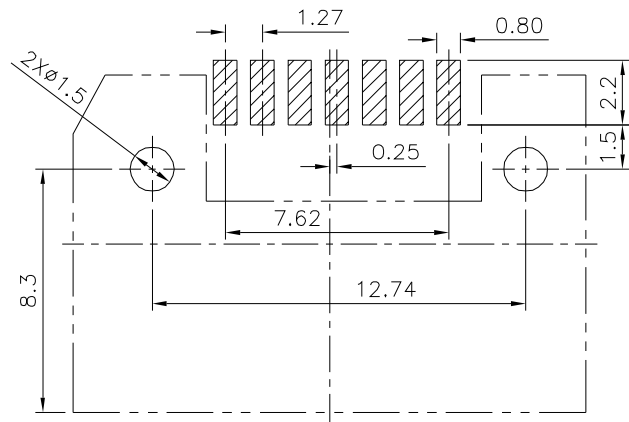
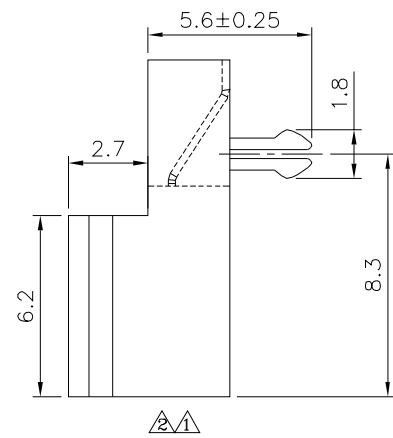
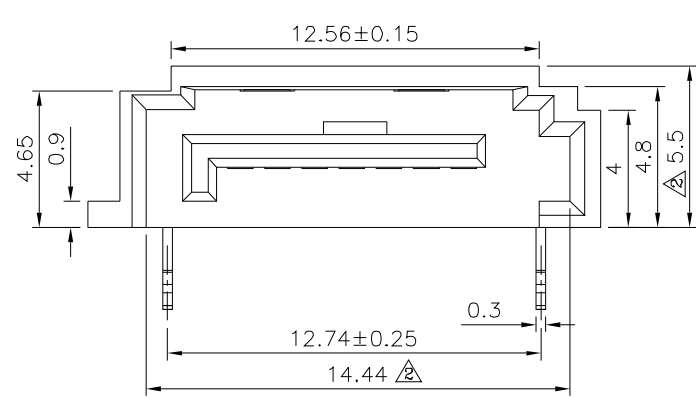
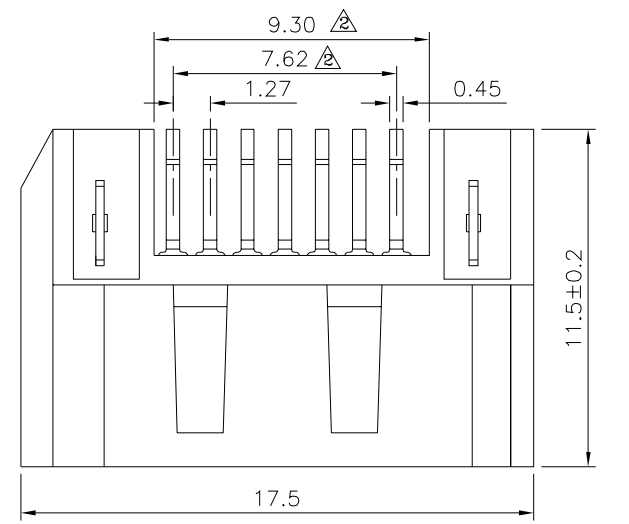
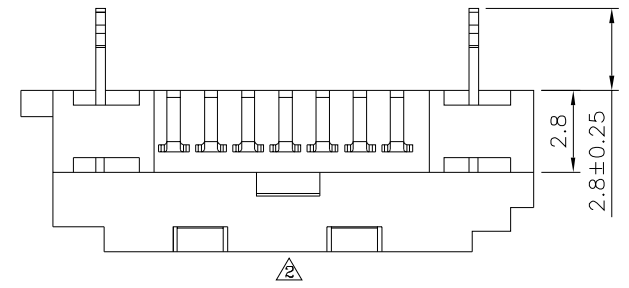


△ SPECIFICATION

Current Rating:1.5A
 Operation Voltage:100V AC Max.
 Withstand Voltage:500V AC
 Contact Resistance:30 Milliohms Max.
 Insulation Resistance:1000 Megaohms Min.
 Operating Temperature:-25°C~+85°C
 Housing:LCP+30%G.F.(UL94V-0),Black
 Contact:Brass
 Gold Flash On Contact Area,Tin
 Plated On Solder Tails,Over Nickel
 Peg:Brass,Tin Plated On Solder Tails,Nickel Plated
 Over All
 RoHS Compliant



△△ Recommended P.C.B. Layout (Top View)
 (PCB Board Tolerance±0.05)

4UCON 元化興業股份有限公司
 4UCON TECHNOLOGY INC.

DRAWING No.		APPROVED BY		UNLESS OTHERWISE SPECIFIED TOLERANCES ARE △.X ±0.25 X.* ±2* .XX ±0.15 .XX* ±1* .XXX ±0.10 .XXX* ±0.5*
18576		MEI		
		CHECKED BY	HZF	
		DRAWING BY	CYP	
SCALE	NONE	REV.	A2	UNIT mm

NO.	REV.	REVISIONS	CHK	DATE
△	A2	Modify Data	HZF	10/28/2017
△	A1	Modify Data	HZF	11/13/2013
△	A0	NEW RELEASE	HZF	11/25/2011