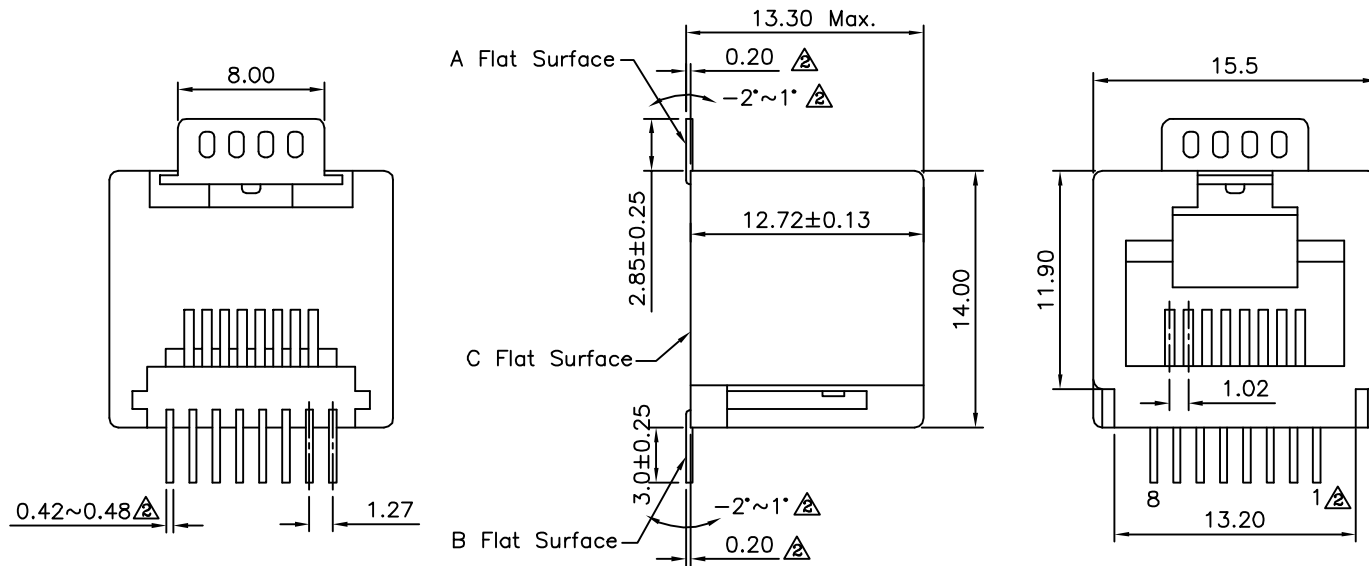


Recommended P.C.B. Layout

**△△ SPECIFICATION**

Housing:PA9T(UL94V-0),Black  
 Insert Housing:PA46(UL94V-0),Black  
 Contact:Phosphor Bronze  
 Gold Plated 6u" On Contact Area,Gold Flash  
 On Other Area,Under Nickel Plated  
 Hold Down:Copper Alloy,Tin Plated  
 Cavity Confirms To FCC Rules And Regulations  
 Part 68 Subpart F  
 A And B Highest Point Must Over C Flat Surface  
 The Max. Distance(0.15mm) Between Lowest  
 And Highest On A And B Flat Surface  
 RoHS Compliant



**4UCON** 元化興業股份有限公司  
 4UCON TECHNOLOGY INC.

DRAWING No.

18582

SCALE NONE

APPROVED BY

EMILY

CHECKED BY

HZF

DRAWING BY

QQJ

REV. A3

UNLESS OTHERWISE

SPECIFIED

TOLERANCES ARE

.X ±0.25  
 .XX ±0.13  
 .XXX ±0.05  
 ANG. ±0.5°

UNIT mm



NO.	REV.	REVISIONS	CHK	DATE
△A3		Modify Data	HZF	05/16/2011
△A2		Modify Data	HZF	05/29/2010
△A1		Change Specifications	HZF	05/27/2008
△A0		NEW RELEASE	BECKY	06/06/2004