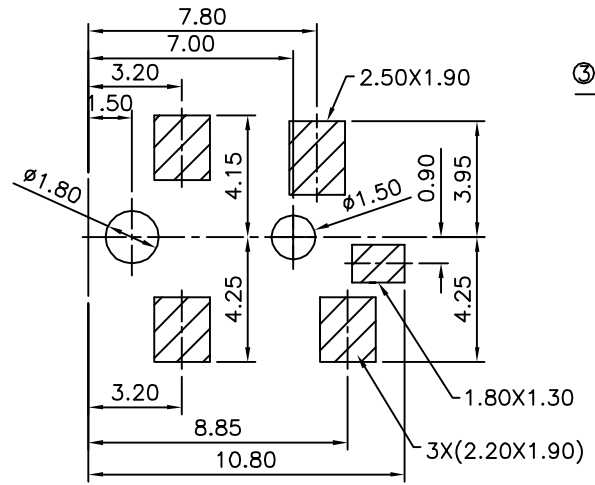
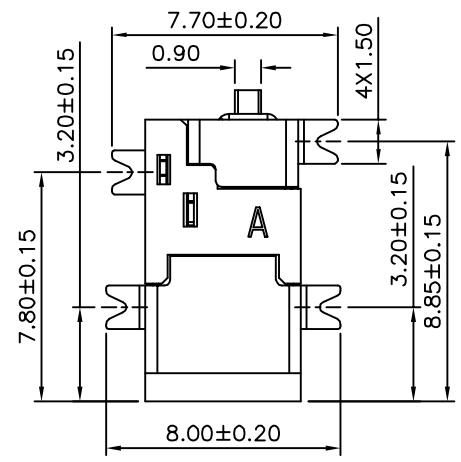
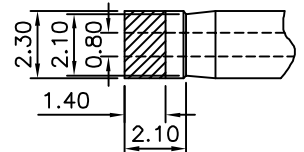
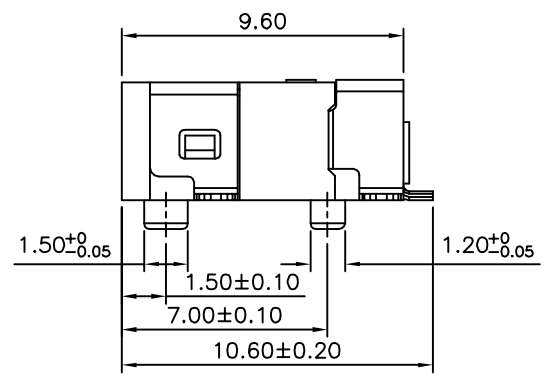
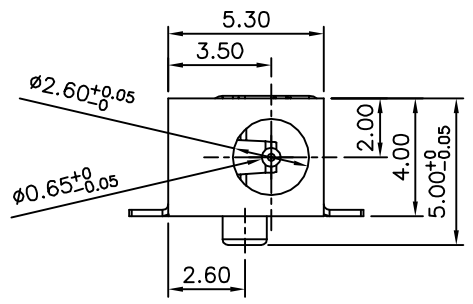
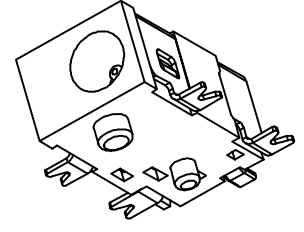
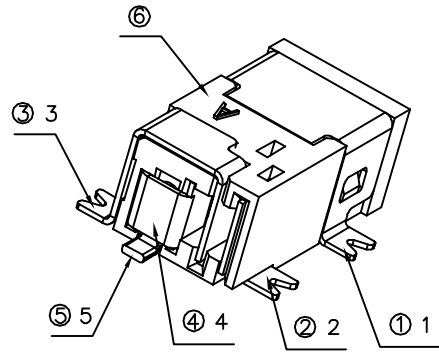


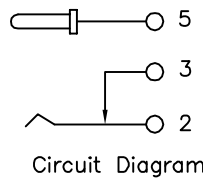
SPECIFICATION
 Rating:DC 30V 0.5A
 Withstand Voltage:500V AC
 Contact Resistance:30 Milliohms Max.
 Insulation Resistance:100 Megaohms Min.
 (DC 250V)
 Insertion And Extraction Force:3~30N
 Life Test:5000 Cycles
 RoHS Compliant



Recommended P.C.B. Layout(Top View)



Plug Spec.



Circuit Diagram

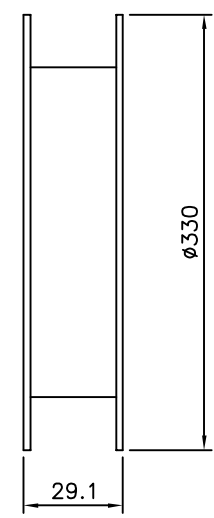
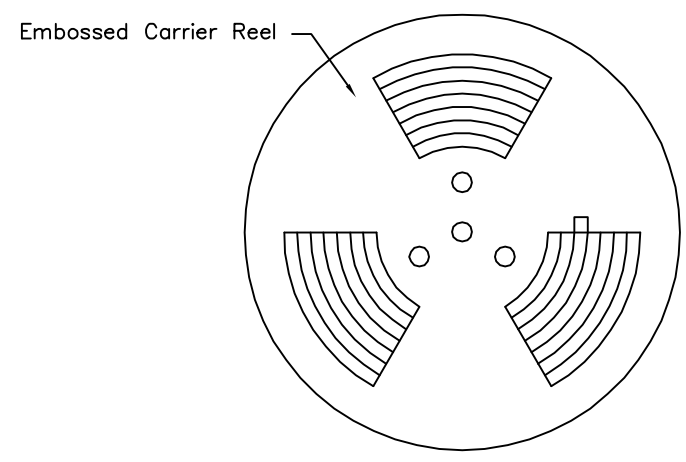
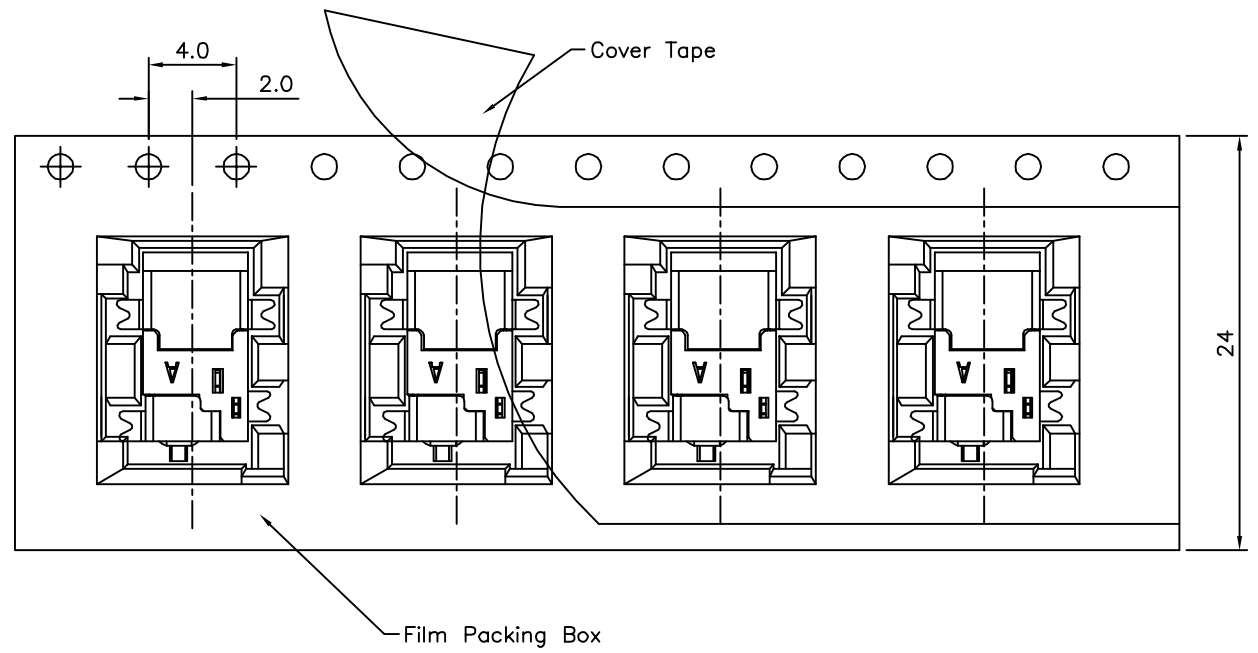
No.	Name	Q'ty	Material	Remark
⑥	Housing	1	PA9T	Black
⑤	Pin	1	H59	—
④	Terminal-4	1	SUS301	Silver Plated
③	Terminal-3	1	Phosphor Bronze	Silver Plated
②	Terminal-2	1	Phosphor Bronze	Silver Plated
①	Terminal-1	1	Brass	Silver Plated

4UCON 元化興業股份有限公司
 4UCON TECHNOLOGY INC.

DRAWING No.		APPROVED BY		UNLESS OTHERWISE SPECIFIED TOLERANCES ARE L<4 ±0.05 4<L<16 ±0.10 16<L<63 ±0.20 ANG. ±3°
18587		MEI		
		CHECKED BY	HZF	
		DRAWING BY	WSS	
SCALE	NONE	REV.	B2	UNIT mm

NO.	REV.	REVISIONS	CHK	DATE
△	B2	Modify Data	HZF	08/17/2011
△	B1	Add P/N Code	HZF	04/21/2011
△	B0	NEW RELEASE	HZF	03/27/2009

SPECIFICATION
 Film Packing Box Size:12600(L)X24(W)X4.45(H)
 The Thickness Of The Film=0.35mm
 Cover Tape Size:11800(L)X21.3(W)X0.06(H)
 Q'ty:1000 PCS/Reel
 Packing Temperature Request:105°C~115°C
 RoHS Compliant



4UCON 元化興業股份有限公司
 4UCON TECHNOLOGY INC.

DRAWING No.		APPROVED BY		UNLESS OTHERWISE SPECIFIED TOLERANCES ARE L<4 ±0.05 4<L<16 ±0.10 16<L<63 ±0.20 ANG. ±3°
18587		MEI		
		CHECKED BY HZF		
		DRAWING BY WSS		
SCALE	NONE	REV.	B2	UNIT mm

NO.	REV.	REVISIONS	CHK	DATE
△	B2	Modify Data	HZF	08/17/2011
△	B1	Add P/N Code	HZF	04/21/2011
△	B0	NEW RELEASE	HZF	03/27/2009