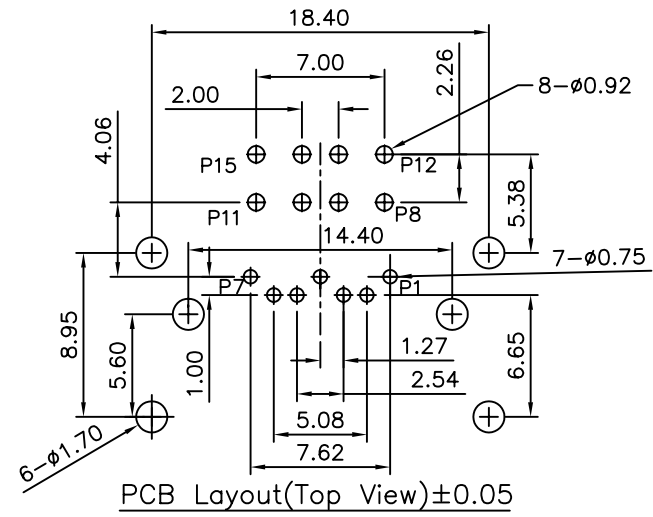
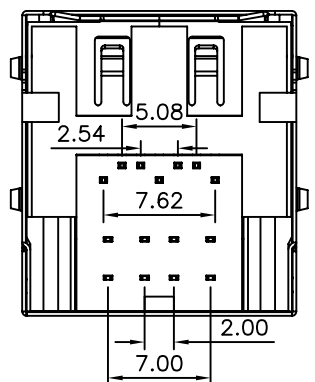


Section A-A

0.10 max.



PCB Layout (Top View) ±0.05

10	Shell Back Cover	1	Pcs	SPCC
09	Shell	1	Pcs	SPCC
08	SATA Shell	1	Pcs	Brass
07	USB Shell	2	Pcs	Brass
06	SATA Contact	7	Pcs	Brass
05	USB Long Contact	4	Pcs	Phosphor Bronze
04	USB Short Contact	4	Pcs	Phosphor Bronze
03	SATA Housing	1	Pcs	PBT
02	Bottom Cover	1	Pcs	PBT
01	Insulator	1	Pcs	PBT
Item	Name	Q'ty	Unit	Material

4UCON 元化興業股份有限公司
4UCON TECHNOLOGY INC.

DRAWING No. 18690

APPROVED BY MEI
CHECKED BY HZF
DRAWING BY PEGA

UNLESS OTHERWISE SPECIFIED TOLERANCES ARE
.X ±0.25
.XX ±0.15
ANG ±2°

SCALE NONE

REV. A0

UNIT mm

NEW RELEASE

HZF 10/11/2006

NO. REV. REVISIONS CHK DATE