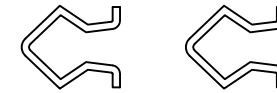
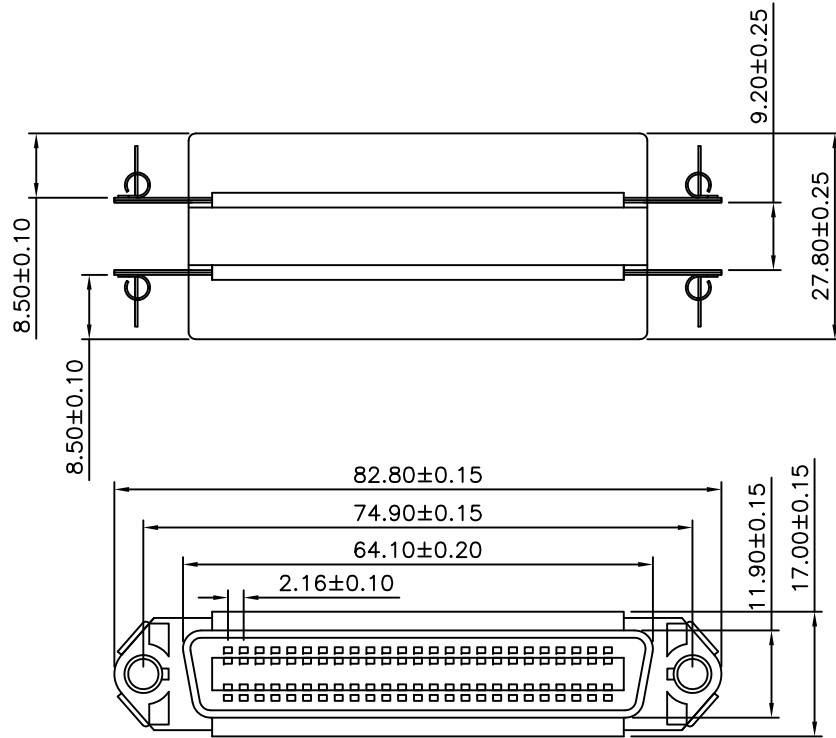
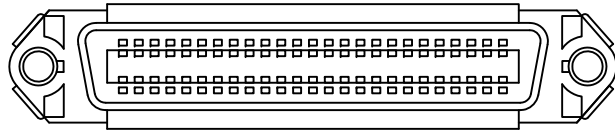


**SPECIFICATION**

Current Rating:3Amp  
 Dielectric Strength:500V AC For One Minute  
 Insulator Resistance:500Megohms Min At 500V DC  
 Temperature:-25°C~+105°C  
 Insulator:PBT Glass Fibre Reinforced UL94-V0  
 Contact:Brass  
 Contact Plating:Gold Plated Over Nickel  
 Shell:Nickel Silver



Pin Out:

- |             |          |
|-------------|----------|
| 50Female    | 50Female |
| 1 ----- 1   |          |
| 2 ----- 2   |          |
| 3 ----- 3   |          |
| 4 ----- 4   |          |
|             | ⋮        |
| 49 ----- 49 |          |
| 50 ----- 50 |          |
| G ----- G   |          |

**4UCON** 元化興業股份有限公司  
 4UCON TECHNOLOGY INC.

DRAWING No.

18795

APPROVED BY

MEI

CHECKED BY

HZF

DRAWING BY

JLT

UNLESS OTHERWISE SPECIFIED

TOLERANCES ARE

.X ±0.20

.XX ±0.15

.XXX ±0.05

SCALE

NONE

REV.

A0

UNIT  
mm



NO.

REV.

NEW RELEASE

REVISIONS

CHK

06/10/2007

DATE