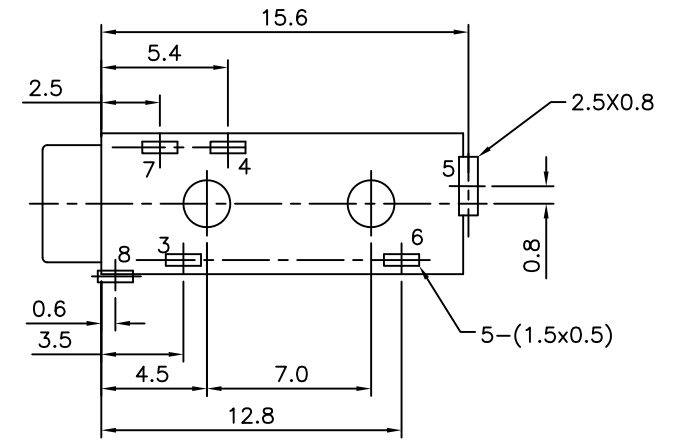
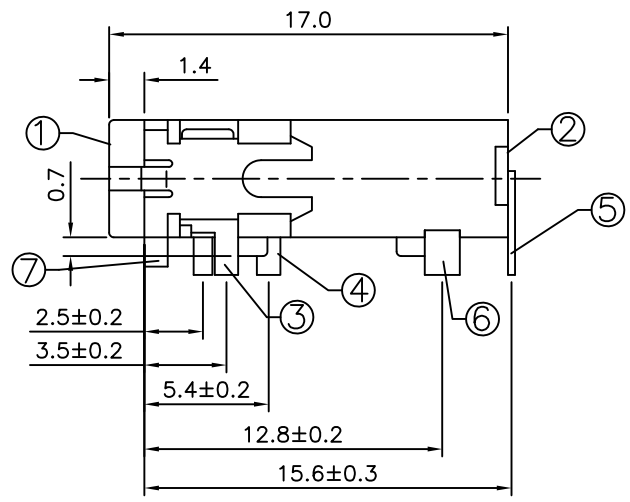
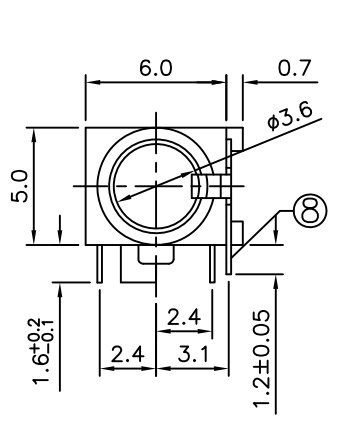
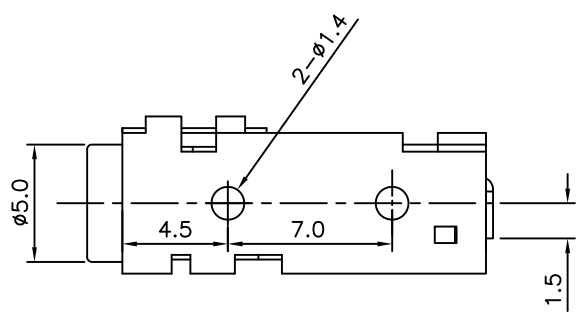


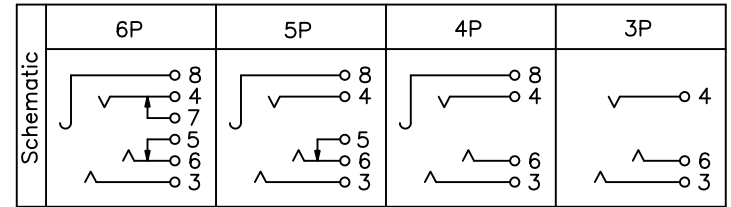
SPECIFICATIONS
 Rating: DC 30V 0.5A
 Contact Resistance: ≤0.03ohms Max.
 Insulation Resistance: 100 Megohms(DC250V)
 Withstand Voltage: 500VAC
 Insertion And Extraction Force: 3-20N
 Life Test: 5,000 Cycles



P.C.B Layout
Top View



8	Contact Foot	1	Phosphor Bronze	Ag-Plating
7	Curve Piece	1	Brass	Ag-Plating
6	Spring	1	Phosphor Bronze	Ag-Plating
5	Curve Piece	1	Brass	Ag-Plating
4	Contact Foot	1	SUS301	Ag-Plating
3	Contact Foot	1	SUS301	Ag-Plating
2	Cover	1	PBT	⚠
1	Housing	1	PBT	⚠
NO.	Description	Q'ty	Material	Plating



4UCON 元化興業股份有限公司
 4UCON TECHNOLOGY INC.

DRAWING No.		APPROVED BY		UNLESS OTHERWISE SPECIFIED TOLERANCES ARE .X ±0.15 ANG. ±1.5°
18894		MEI		
		HZF		
		DRAWING BY		
		PEGA		
SCALE	NONE	REV.	A1	UNIT mm

⚠ A1	MODIFY MATERIAL	HZF	07/10/2007
⚠ A0	NEW RELEASE	HZF	12/04/2006
NO.	REV.	REVISIONS	CHK DATE