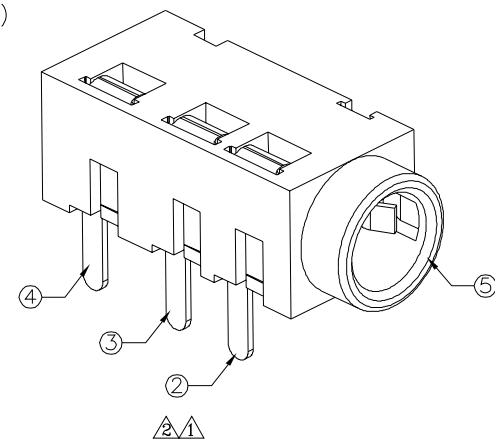
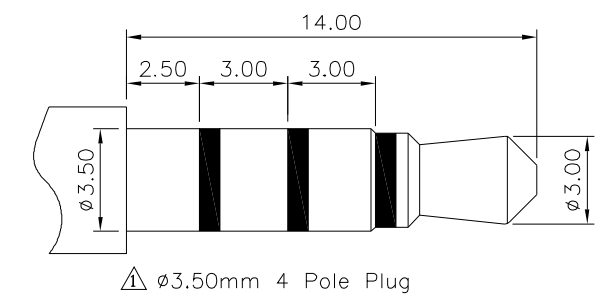
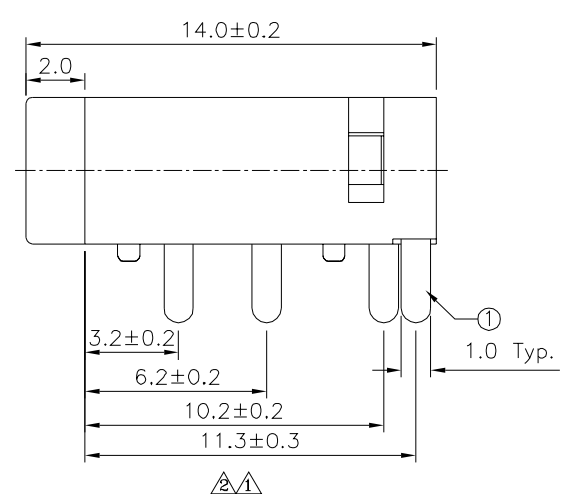
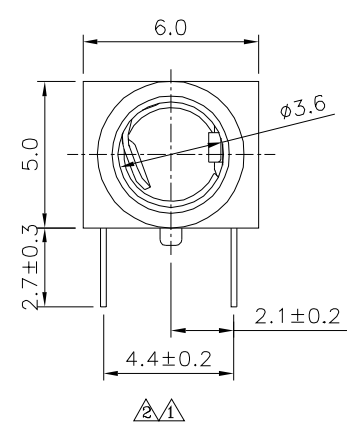


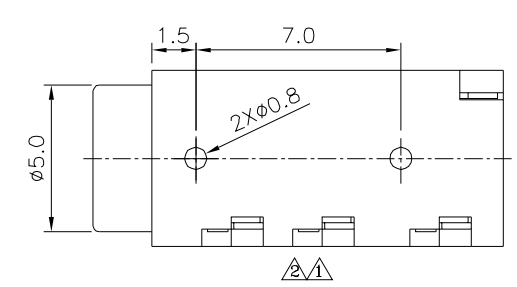
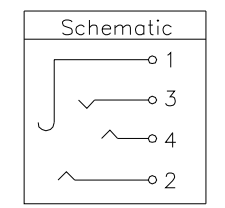
Recommended P.C.B. Layout (Top View)



**SPECIFICATION**  
 Rating:DC 30V,0.5A  
 Contact Resistance:30 Milliohms Max.  
 Insulation Resistance:100 Megaohms Min.  
 (250V DC)  
 Withstand Voltage:500V AC  
 Insertion And Extraction Force:3~20N  
 Life Test:5000 Cycles  
 RoHS Compliant



4 Pole Plug



No.	Description	Q'ty	Material	Remark
①	Spring	1	Phosphor Bronze	Tin Plated
②	Contact Foot	1	Phosphor Bronze	Tin Plated
③	Contact Foot	1	Phosphor Bronze	Tin Plated
④	Contact Foot	1	Phosphor Bronze	Tin Plated
⑤	Housing	1	PA9T	Black

**4U CON** 元化興業股份有限公司  
 4U CON TECHNOLOGY INC.

DRAWING No. 18895		APPROVED BY MEI		UNLESS OTHERWISE SPECIFIED TOLERANCES ARE .X ±0.15 .XX ±0.15 ANG. ±1.5°
		CHECKED BY HZF		
		DRAWING BY CYP		
SCALE	NONE	REV.	A2	UNIT mm

NO.	REV.	REVISIONS	CHK	DATE
△A2		Modify Data	HZF	03/30/2020
△A1		Modify Data	HZF	07/10/2018
△A0		NEW RELEASE	HZF	04/06/2015