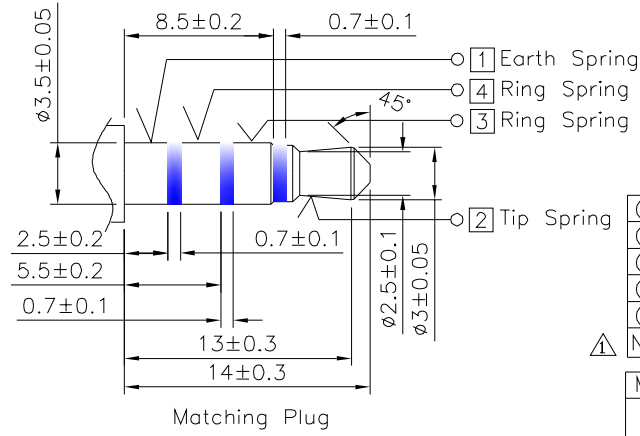
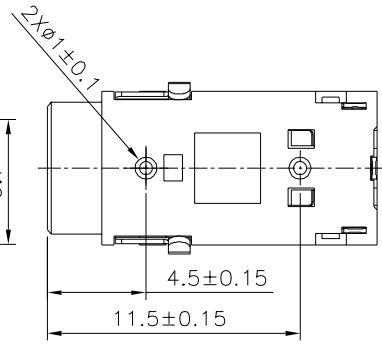
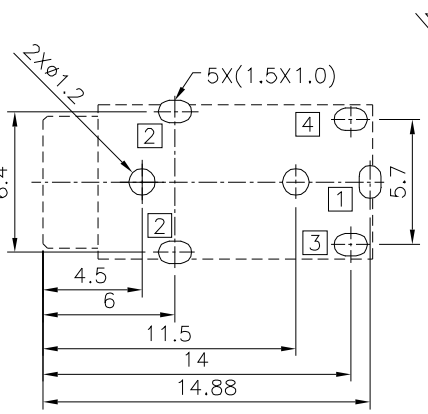
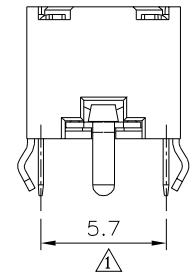
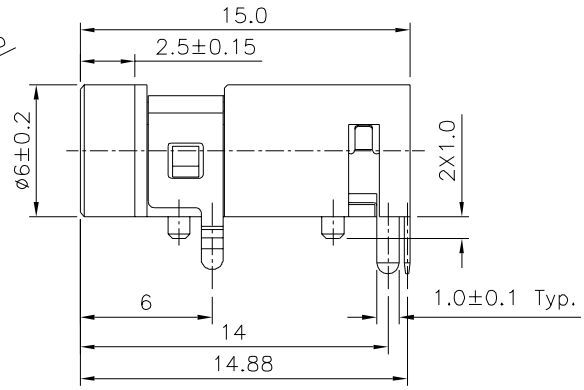
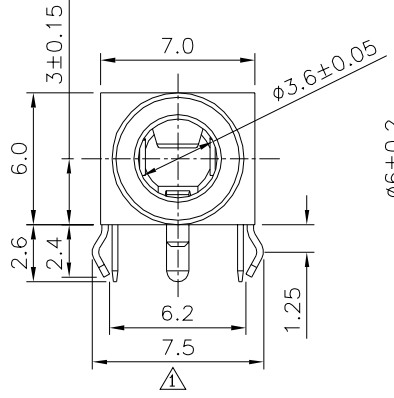
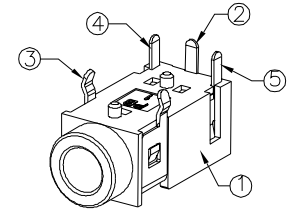
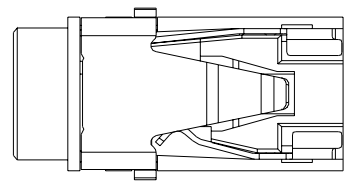
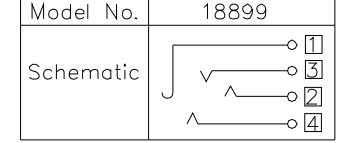


△ SPECIFICATION

Rating: DC 30V 0.5A  
 Contact Resistance: 30 Milliohms Max.  
 After Life Test: 50 Milliohms Max.  
 Insulation Resistance: 100 Megaohms Min.(500V DC)  
 After Life Test: 50 Megaohms Min.  
 Withstand Voltage: 500V AC  
 Operation Temperature Range: -20°C~+70°C  
 RoHS Compliant



5	Ring Spring	4	1	Phosphor Bronze	Silver Plated
4	Ring Spring	3	1	Phosphor Bronze	Silver Plated
3	Tip Spring	2	1	Brass	Silver Plated
2	Earth Spring	1	1	Phosphor Bronze	Silver Plated
1	Housing	1	1	PBT	(UL94V-0), Black
△ No. Description		Q'ty	Material	Remark	



□ :Terminal No.

Recommended P.C.B. Layout t=1.2/1.6mm  
 General Tolerance:±0.05(Top View)

**4UCON** 元化興業股份有限公司  
 4UCON TECHNOLOGY INC.

DRAWING No.		APPROVED BY		UNLESS OTHERWISE SPECIFIED TOLERANCES ARE .X ±0.50 X.* ±5* .XX ±0.30 .X.* ±3* .XXX ±0.15 .XX* ±2*
18899		MEI		
		HZF		
		DRAWING BY		UNIT mm
		CYP		
SCALE	NONE	REV.	B1	

△ B1	Modify Data	HZF	01/13/2021
△ B0	Modify Data	HZF	04/30/2017
△ B0	NEW RELEASE	HZF	04/30/2017
NO. REV.	REVISIONS	CHK	DATE