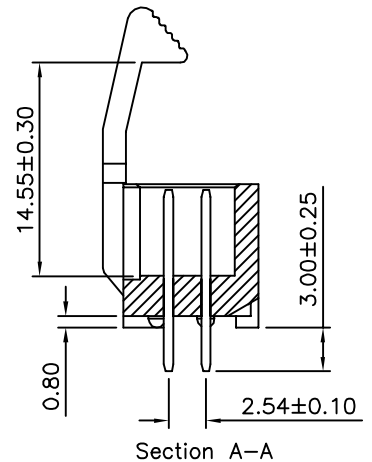
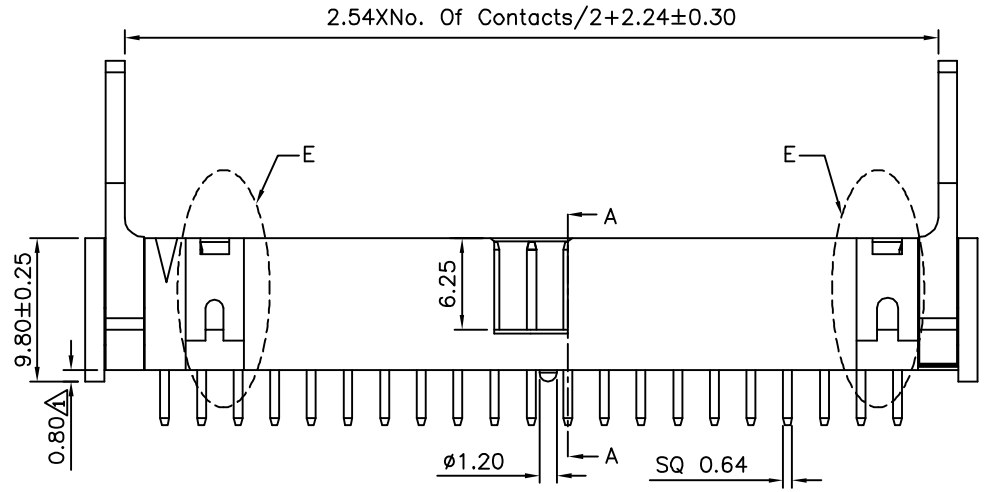
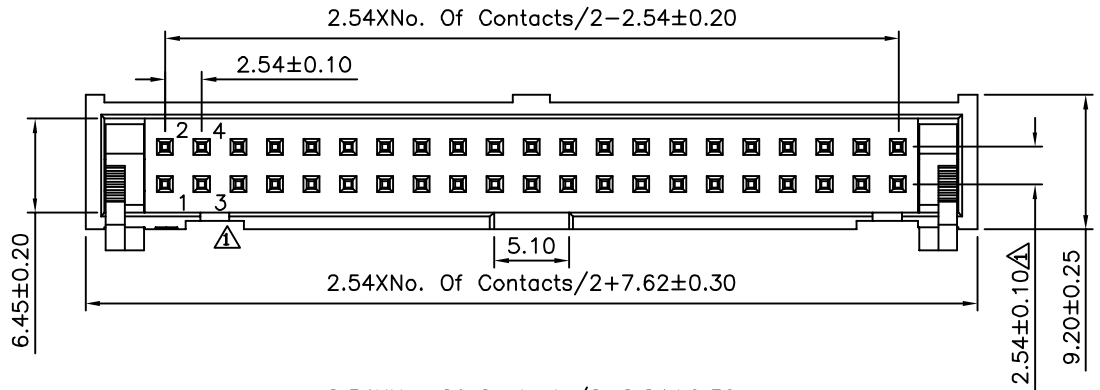


Recommended P.C.B. Layout (Top Side)
PCB Board Tolerance ±0.05

△△ SPECIFICATION
 Current Rating: 3.0 Amp
 Contact Resistance: 20 Milliohms Max.
 Insulation Resistance: 1000 Megaohms Min.
 Withstand Voltage: 1000V AC/DC
 Operation Temperature: -40°C ~ +105°C
 Contact: Brass, Gold Plated Over Nickel
 Latch: Zinc Alloy, Nickel Plated
 Insulator: PBT+30%G.F. (UL94V-0), Black
 Above 20 Poles With "E" Profile
 RoHS Compliant



4UCON 元化興業股份有限公司
4UCON TECHNOLOGY INC.

DRAWING No.		APPROVED BY		UNLESS OTHERWISE SPECIFIED TOLERANCES ARE .X ±0.40 .XX ±0.25 .XXX ±0.15 ANG. ±3°
19041		EMILY		
		CHECKED BY		
		HZF		
		DRAWING BY		UNIT mm
		CYP		
SCALE	NONE	REV.	A3	

NO.	REV.	REVISIONS	CHK	DATE
△A3		Modify Data	HZF	11/05/2014
△A2		Modify Data	HZF	05/14/2012
△A1		Modify Data	HZF	11/11/2009
△A0		NEW RELEASE	HZF	11/06/2007