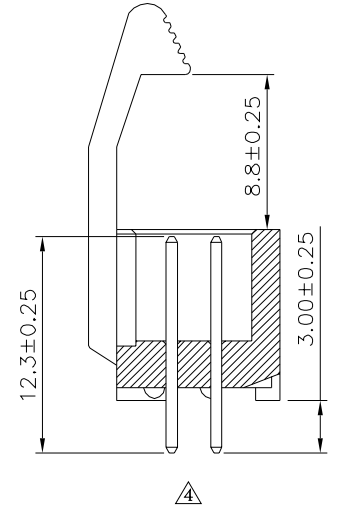
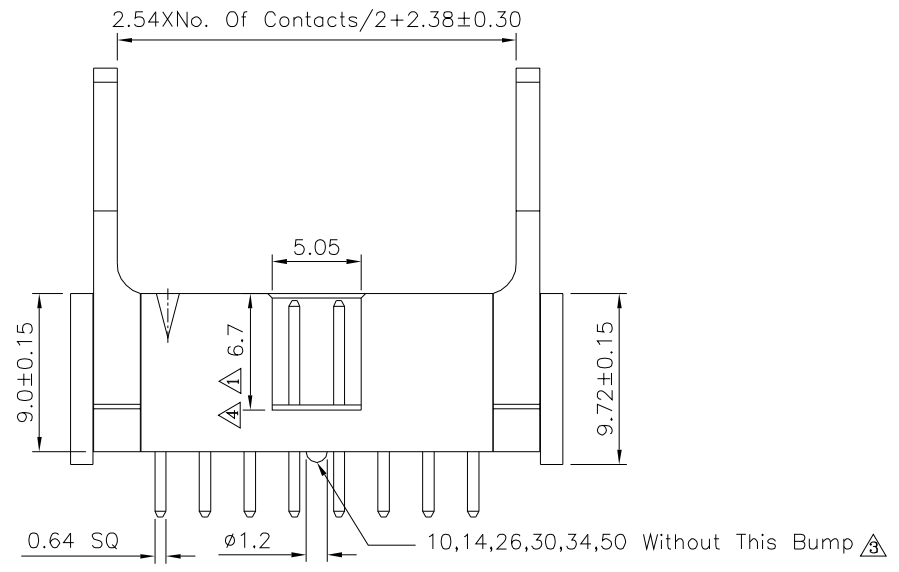
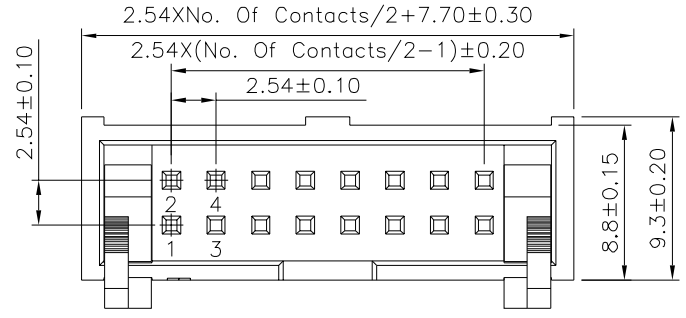


**SPECIFICATION**

Current Rating:3.0 Amp  
 Withstand Voltage:1000V AC/DC  
 Contact Resistance:20 Milliohms Max.  
 Insulation Resistance:1000 Megohms Min.  
 Operation Temperature:-40°C~+105°C  
 Insulator:PBT(UL94V-0)  
 Contact:Brass,Gold Flash Over Nickel  
 Metal Latch:Zinc Alloy,Nickel Plated  
 No. Of Contact:08,10,14,16,20,26,30,34,40,44,50,60,64  
 Contacts Are Toolled Already  
 RoHS Compliant



**4UCON** 元化興業股份有限公司  
 4UCON TECHNOLOGY INC.

DRAWING No.		APPROVED BY		UNLESS OTHERWISE SPECIFIED TOLERANCES ARE X: ±0.30    X*: ±2" .X ±0.25    .X*: ±1.5" .XX ±0.20    .XX*: ±1" .XXX ±0.15    .XXX*: ±0.5"
19043		MEI		
		HZF		
		DRAWING BY		
		CYP		
SCALE	NONE	REV.	A4	UNIT mm

△A4	Modify Data	HZF	01/09/2020
△A3	Modify Data	HZF	10/15/2019
△A2	Modify Data	HZF	01/09/2018
△A1	Modify Data	HZF	08/31/2016
△A0	NEW RELEASE	HZF	11/07/2014
NO.REV.	REVISIONS	CHK	DATE