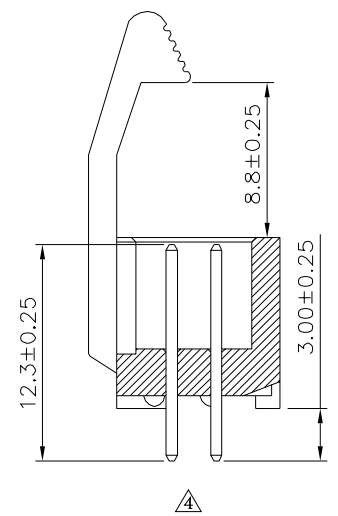
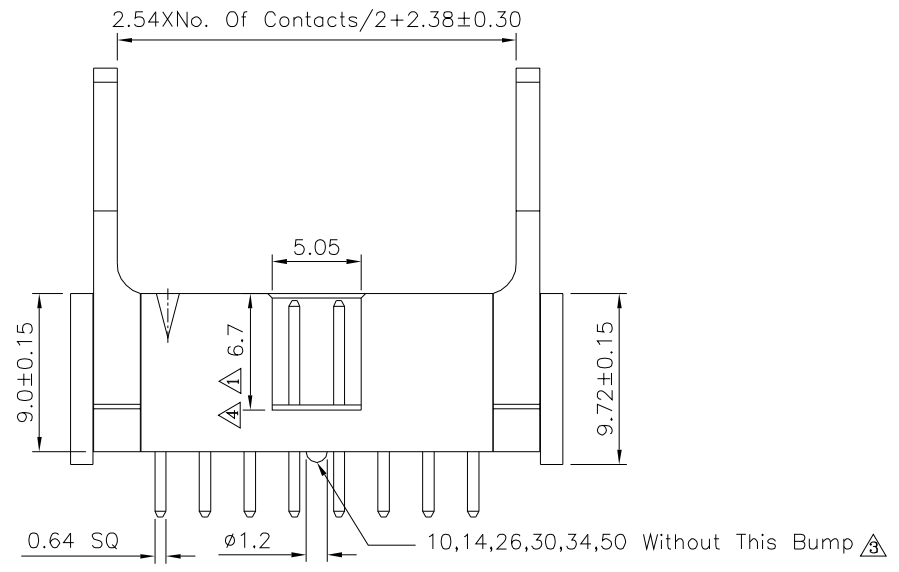
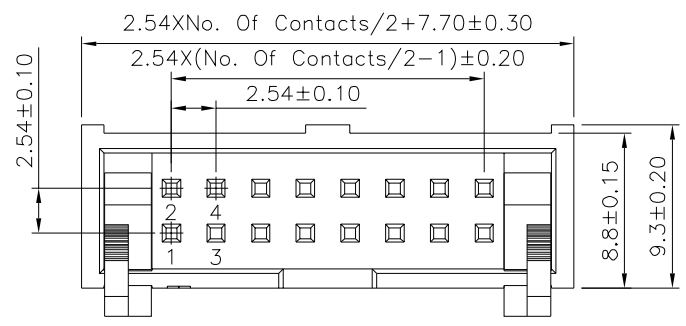


SPECIFICATION

Current Rating: 3.0 Amp
 Withstand Voltage: 1000V AC/DC
 Contact Resistance: 20 Milliohms Max.
 Insulation Resistance: 1000 Megohms Min.
 Operation Temperature: -40°C ~ +105°C
 Insulator: PBT (UL94V-0)
 Contact: Brass, Gold Flash Over Nickel
 Metal Latch: Zinc Alloy, Nickel Plated
 No. of Contact: 08, 10, 14, 16, 20, 26, 30, 34, 40, 44, 50, 60, 64
 Contacts Are Toolled Already
 RoHS Compliant



4UCON 元化興業股份有限公司
 4UCON TECHNOLOGY INC.

DRAWING No.		APPROVED BY		UNLESS OTHERWISE SPECIFIED TOLERANCES ARE	△ A4 Modify Data △ A3 Modify Data △ A2 Modify Data △ A1 Modify Data △ A0 NEW RELEASE	HZF	01/09/2020				
19046		MEI						X: ±0.30 .X ±0.25 .XX ±0.20 .XXX ±0.15	X: ±2° .X ±1.5° .XX ±1° .XXX ±0.5°	HZF	10/15/2019
		CHECKED BY									
SCALE		REV.		UNIT	NO. REV.	REVISIONS	DATE				
NONE		A4		mm	CHK						

